




SMA Home Storage

HS-BM-3.28-10

ENGLISH	Quick Reference Guide.....	3
DEUTSCH	Schnelleinstieg	13
ESPAÑOL	Instrucciones breves	24
FRANÇAIS	Notice résumée.....	35
ITALIANO	Guida rapida	46
NEDERLANDS	Beknopte handleiding.....	57
PORTUGUÊS	Instruções sumárias.....	68
	Instructions	79

Legal Provisions

The information contained in these documents is the property of SMA Solar Technology AG. No part of this document may be reproduced, stored in a retrieval system, or transmitted, in any form or by any means, be it electronic, mechanical, photographic, magnetic or otherwise, without the prior written permission of SMA Solar Technology AG. Internal reproduction used solely for the purpose of product evaluation or other proper use is allowed and does not require prior approval.

SMA Solar Technology AG makes no representations or warranties, express or implied, with respect to this documentation or any of the equipment and/or software it may describe, including (with no limitation) any implied warranties of utility, merchantability, or fitness for any particular purpose. All such representations or warranties are expressly disclaimed. Neither SMA Solar Technology AG nor its distributors or dealers shall be liable for any indirect, incidental, or consequential damages under any circumstances.

The exclusion of implied warranties may not apply in all cases under some statutes, and thus the above exclusion may not apply.

Specifications are subject to change without notice. Every attempt has been made to make this document complete, accurate and up-to-date. Readers are cautioned, however, that product improvements and field usage experience may cause SMA Solar Technology AG to make changes to these specifications without advance notice or per contract provisions. SMA Solar Technology AG shall not be responsible for any damages, including indirect, incidental or consequential damages, caused by reliance on the material presented, including, but not limited to, omissions, typographical errors, arithmetical errors or listing errors in the content material.

SMA Warranty

You can download the current warranty conditions from the Internet at www.SMA-Solar.com.

Trademarks

All trademarks are recognized, even if not explicitly identified as such. Missing designations do not mean that a product or brand is not a registered trademark.

SMA Solar Technology AG

Sonnenallee 1

34266 Niestetal

Germany

Phone +49 561 9522-0

Fax +49 561 9522-100

www.SMA.de

E-mail: info@SMA.de

Status: 6/16/2023

Copyright © 2023 SMA Solar Technology AG. All rights reserved.

1 Information on this Document

1.1 Validity

This document is valid for:

- HS-BM-3.28-10 (SMA Home Storage 3.2)

1.2 Target Group

The tasks described in this document must only be performed by qualified persons. Qualified persons must have the following skills:

- Knowledge of how an inverter works and is operated
- Knowledge of how batteries work and are operated
- Training in how to deal with the dangers and risks associated with installing, repairing and using electrical devices, batteries and installations
- Training in the installation and commissioning of electrical devices and installations
- Knowledge of all applicable laws, regulations, standards, and directives
- Knowledge of and compliance with this document and all safety information

1.3 Content and Structure of this Document

This document contains safety information as well as graphical instructions on installing and commissioning (see page 79). Observe all information and carry out the actions illustrated graphically in this document in the specified order.

The latest version of this document and the comprehensive manual for installation, commissioning, configuration and decommissioning are to be found in PDF format at www.SMA-Solar.com.



Illustrations in this document are reduced to the essential information and may deviate from the real product.

1.4 Levels of Warning Messages

The following levels of warning messages may occur when handling the product.

 DANGER
Indicates a hazardous situation which, if not avoided, will result in death or serious injury.
 WARNING
Indicates a hazardous situation which, if not avoided, could result in death or serious injury.
 CAUTION
Indicates a hazardous situation which, if not avoided, could result in minor or moderate injury.
NOTICE
Indicates a situation which, if not avoided, can result in property damage.

1.5 Symbols in the Document

Icon	Explanation
	Information that is important for a specific topic or goal, but is not safety-relevant
	Section in which the installation and commissioning process is illustrated graphically.

2 Safety

2.1 Intended Use

SMA Home Storage is a battery module and can be used in the SMA Home Storage Solution for home applications, including for increasing self-consumption.

The communication interface of the inverter used must be compatible with the product. The entire voltage range must be completely within the permissible input voltage range of the inverter. The maximum permissible DC input voltage of the product must not be exceeded.

No additional loads or components in the DC intermediate circuit may be connected between the battery and inverter.

All components must remain within their permitted operating ranges and their installation requirements at all times.

The product must only be used as stationary equipment.

The product is not suitable for supplying life-sustaining medical devices. A power outage must not lead to personal injury.

The product must only be used in countries for which it is approved or released by SMA Solar Technology AG and the grid operator.

Use SMA products only in accordance with the information provided in the enclosed documentation and with the locally applicable laws, regulations, standards and directives. Any other application may cause personal injury or property damage.

Alterations to the SMA products, e.g., changes or modifications, are only permitted with the express written permission of SMA Solar Technology AG. Unauthorized alterations will void guarantee and warranty claims and in most cases terminate the operating license. SMA Solar Technology AG shall not be held liable for any damage caused by such changes.

Any use of the product other than that described in the Intended Use section does not qualify as appropriate.

The enclosed documentation is an integral part of this product. Keep the documentation in a convenient, dry place for future reference and observe all instructions contained therein.

This document does not replace any regional, state, provincial, federal or national laws, regulations or standards that apply to the installation, electrical safety and use of the product. SMA Solar Technology AG assumes no responsibility for the compliance or non-compliance with such laws or codes in connection with the installation of the product.

The type label must remain permanently attached to the product.

2.2 Important Safety Information

Keep the manual for future reference.

This section contains safety information that must be observed at all times when working.

The product has been designed and tested in accordance with international safety requirements. As with all electrical or electronical devices, some residual risks remain despite careful construction. To prevent personal injury and property damage and to ensure long-term operation of the product, read this section carefully and observe all safety information at all times.

DANGER

Danger to life due to electric shock when live components or DC cables are touched

The DC cables connected to a battery may be live. Touching live DC cables results in death or serious injury due to electric shock.

- Disconnect the product and inverter from voltage sources and make sure they cannot be reconnected before working on the device.
- Do not touch non-insulated parts or cables.
- Do not disconnect the DC connectors under load.
- Wear suitable personal protective equipment for all work on the product.

DANGER

Danger to life due to electric shock when touching live enclosure parts with damaged grounding conductor

High voltages may be applied to the enclosure of the product if the grounding conductor of the DC connection is damaged or has not been connected correctly. Touching live enclosure parts results in death or lethal injuries due to electric shock.

- Connect the grounding conductor for the DC connection as described in this document.

⚠ DANGER**Danger to life due to fire or explosion due to improper handling of the battery modules**

Improper handling can cause the lithium inside the battery to ignite. This can cause a fire or explosion. Death or lethal injuries due to hot or flying debris can result.

- Never use defective or damaged battery modules.
- Do not open, pierce, or drop battery modules.
- Do not install or operate the battery modules in potentially explosive atmospheres or areas of high humidity.
- Do not expose the battery modules to high temperatures.
- Never throw the battery modules on a fire.
- Store the battery modules dry and within the specified temperature range.
- If the battery goes on fire, use a CO₂ fire extinguisher.
- If a fire breaks out in the vicinity of the battery, use an ABC fire extinguisher.

⚠ DANGER**Danger to life due to electric shock when touching live system components in case of a ground fault**

If a ground fault occurs, parts of the system may still be live. Touching live parts and cables results in death or lethal injuries due to electric shock.

- Disconnect the product and inverter from voltage sources and make sure they cannot be reconnected before working on the device.
- Do not touch any parts of the substructure.

⚠ DANGER**Danger to life due to electric shock when live components are touched on opening the product**

High voltages are present in the live parts and cables inside the product during operation. Touching live parts and cables results in death or lethal injuries due to electric shock.

- Do not open the product.

⚠ WARNING**Danger to life due to electric shock from destruction of the measuring device due to overvoltage**

Overvoltage can damage a measuring device and result in voltage being present in the enclosure of the measuring device. Touching the live enclosure of the measuring device results in death or lethal injuries due to electric shock.

- Only use measuring devices with a DC input voltage range of 1500 V or higher.

⚠ WARNING**Danger to life due to burns caused by electric arcs through short-circuit currents**

Short-circuit currents in the battery can cause heat build-up and electric arcs. Heat build-up and electric arcs may result in lethal injuries due to burns.

- Disconnect the battery from all voltages sources prior to performing any work on the battery.
- Remove watches, rings and other metal objects prior to carrying out any work on the battery.
- Use insulated tools and wear insulated gloves for all work on the battery.
- Do not place tools or metal parts on the battery.

⚠ WARNING**Danger to life due to fire or explosion when batteries are fully discharged**

A fire may occur due to incorrect charging of fully discharged batteries. This can result in death or serious injury.

- Put the battery into operation no longer than six months after delivery.
- If the battery is not put into operation within six months, contact Service to request reconditioning of the battery-storage system.
- Before commissioning the system, verify that the battery is not fully discharged.
- Do not commission the system if the battery is fully discharged.
- If the battery is fully discharged, contact Service.

⚠ WARNING**Risk of injury due to toxic substances, gases and dusts.**

In rare cases, damages to electronic components can result in the formation of toxic substances, gases or dusts inside the product. Touching toxic substances and inhaling toxic gases and dusts can cause skin irritation, burns or poisoning, trouble breathing and nausea.

- Protect the battery enclosure against destruction.
- Do not open or deform the battery.
- Do not throw batteries into fire. Batteries may explode in fire.
- Only perform work on the battery (e.g., troubleshooting, repair work) when wearing personal protective equipment for handling of hazardous substances (e.g., safety gloves, eye and face protection, respiratory protection).
- Rinse acid splashes thoroughly for a long time with clear water, and consult a doctor.
- If acid fumes have been inhaled, consult a doctor immediately.
- Ensure that unauthorized persons have no access to the product.
- Install, operate, maintain and dispose of the battery according to the manufacturer's specifications.

⚠ WARNING**Risk of injury due to weight of the battery modules**

Injuries may result if the battery modules are lifted incorrectly or dropped while being transported or mounted.

- Transport and lift the battery modules carefully. Take the weight of each individual component into account.
- Transport battery modules individually only.
- Wear suitable personal protective equipment, at a minimum safety footwear with a non-slip sole and steel cap, for all work on the battery.

⚠ CAUTION**Risk of burns due to hot battery modules**

The battery module can get hot during operation. Touching hot battery modules can cause burns.

- Before touching the battery modules, wait until the battery modules have cooled down.

NOTICE**Damage to the battery modules due to moisture or corrosive substances**

Moisture or corrosive substance penetration can damage the product and impair its functionality.




- Do not immerse battery modules in liquid.
- Do not expose battery cells to corrosive substances (e.g., ammonia, salt).










NOTICE**Damage to the product due to cleaning agents**




The use of cleaning agents may cause damage to the product and its components.

- Clean the battery and all its components only with a dry cloth.

3 Symbols on the Product

Icon	Explanation
	Beware of a danger zone This symbol indicates that the product must be additionally grounded if additional grounding or equipotential bonding is required at the installation site.
	Beware of electrical voltage The product operates at high voltages.
	Warning of hazards from batteries This symbol indicates the danger of handling batteries.

Icon	Explanation
	Potentially explosive substances warning Improper handling or fire can cause the product to ignite or explode.
	Corrosive substances warning The product contains corrosive substances that can cause severe injury if they come into direct contact with the skin.
	Observe the documentations Observe all documentations supplied with the product.
	Use eye protection Wear eye protection for all work on the device.
	No open flame Handling an open flame and sources of ignition is forbidden in the immediate vicinity of the product.
	Access is prohibited for all children Children must be kept at a safe distance from the product.
	Grounding This symbol indicates the position for the connection of an additional grounding conductor.
	WEEE designation Do not dispose of the product together with the household waste but in accordance with the disposal regulations for electronic waste applicable at the installation site.
	The product is suitable for outdoor installation.
IP65	Degree of protection IP65 The product is protected against the penetration of dust and water that is directed as a jet against the enclosure from all directions.
CE	CE marking The product complies with the requirements of the applicable EU directives.

Icon	Explanation
	UKCA marking The product complies with the regulations of the applicable laws of England, Wales and Scotland.
	RoHS labeling The product complies with the requirements of the applicable EU directives.
	RCM (Regulatory Compliance Mark) The product complies with the requirements of the applicable Australian standards.

4 Transporting the battery

CAUTION

Risk of injury due to inappropriate transport

Inappropriate transport or insufficient use of transport securing devices can cause the battery to slip or tip over. The battery can cause injuries if it slips or tips over.

- Transport and lift the battery carefully. Take the weight of the battery into account.
- Position the battery upright in the vehicle and prevent it from slipping.
- Secure the battery against slipping and tipping over with restraining straps.
- Wear suitable personal protective equipment for all work on the battery.

All requirements of the Dangerous Goods Ordinance on Road, Rail, and Inland Navigation and the Convention on the International Carriage of Dangerous Goods by Road must always be complied with:

- Only trained and instructed personnel are allowed to transport the battery modules on public roads. The instruction must be documented and repeated.
- Smoking is not permitted in the vehicle during the journey.
- Smoking is not permitted in the vehicle itself or in the immediate vicinity during loading and unloading.
- Two tested fire class D metal fire extinguishers (minimum capacity 2 kg) and one set of hazardous goods equipment in accordance with the Convention on the International Carriage of Dangerous Goods by Road must be carried in the vehicle.
- The outer packaging of the battery module must not be opened during transport.

5 EU Declaration of Conformity

within the scope of the EU directives

- Electromagnetic compatibility 2014/30/EU (29.3.2014 L 96/79-106) (EMC)
- Low Voltage Directive 2014/35/EU (29.3.2014 L 96/357-374) (LVD)
- Restriction of the use of certain hazardous substances 2011/65/EU (L 174/88, June 8, 2011) and 2015/863/EU (L 137/10, March 31, 2015) (RoHS)



SMA Solar Technology AG confirms herewith that the products described in this document are in compliance with the fundamental requirements and other relevant provisions of the aforementioned directives. More information on the availability of the entire declaration of conformity can be found at <https://www.sma.de/en/ce-ukca>.

6 UK Declaration of Conformity

according to the regulations of England, Wales and Scotland

- Electromagnetic Compatibility Regulations 2016 (SI 2016/1091)
- Electrical Equipment (Safety) Regulations 2016 (SI 2016/1101)
- The Restriction of the Use of Certain Hazardous Substances in Electrical and Electronic Equipment Regulations 2012 (SI 2012/3032)



SMA Solar Technology AG confirms herewith that the products described in this document are in compliance with the fundamental requirements and other relevant provisions of the above-mentioned regulations. More information on the availability of the entire declaration of conformity can be found at <https://www.sma.de/en/ce-ukca>.

SMA Solar UK Ltd.

Countrywide House
23 West Bar, Banbury
Oxfordshire, OX16 9SA
United Kingdom

Rechtliche Bestimmungen

Die in diesen Unterlagen enthaltenen Informationen sind Eigentum der SMA Solar Technology AG. Kein Teil dieses Dokuments darf vervielfältigt, in einem Datenabrufsystem gespeichert oder in einer anderen Art und Weise (elektronisch, mechanisch durch Fotokopie oder Aufzeichnung) ohne die vorherige schriftliche Genehmigung von SMA Solar Technology AG übertragen werden. Eine innerbetriebliche Vervielfältigung, die zur Evaluierung des Produktes oder zum sachgemäßen Einsatz bestimmt ist, ist erlaubt und nicht genehmigungspflichtig.

SMA Solar Technology AG gewährt keine Zusicherungen oder Garantien, ausdrücklich oder stillschweigend, bezüglich jeglicher Dokumentation oder darin beschriebener Software und Zubehör. Dazu gehören unter anderem (aber ohne Beschränkung darauf) implizite Gewährleistung der Marktfähigkeit und Eignung für einen bestimmten Zweck. Allen diesbezüglichen Zusicherungen oder Garantien wird hiermit ausdrücklich widersprochen. SMA Solar Technology AG und deren Fachhändler haften unter keinen Umständen für etwaige direkte oder indirekte, zufällige Folgeverluste oder Schäden.

Der oben genannte Ausschluss von impliziten Gewährleistungen kann nicht in allen Fällen angewendet werden.

Änderungen an Spezifikationen bleiben vorbehalten. Es wurden alle Anstrengungen unternommen, dieses Dokument mit größter Sorgfalt zu erstellen und auf dem neusten Stand zu halten. Leser werden jedoch ausdrücklich darauf hingewiesen, dass sich SMA Solar Technology AG das Recht vorbehält, ohne Vorankündigung bzw. gemäß den entsprechenden Bestimmungen des bestehenden Liefervertrags Änderungen an diesen Spezifikationen durchzuführen, die sie im Hinblick auf Produktverbesserungen und Nutzungserfahrungen für angemessen hält. SMA Solar Technology AG übernimmt keine Haftung für etwaige indirekte, zufällige oder Folgeverluste oder Schäden, die durch das Vertrauen auf das vorliegende Material entstanden sind, unter anderem durch Weglassen von Informationen, Tippfehler, Rechenfehler oder Fehler in der Struktur des vorliegenden Dokuments.

SMA Garantie

Die aktuellen Garantiebedingungen können Sie im Internet unter www.SMA-Solar.com herunterladen.

Warenzeichen

Alle Warenzeichen werden anerkannt, auch wenn diese nicht gesondert gekennzeichnet sind. Fehlende Kennzeichnung bedeutet nicht, eine Ware oder ein Zeichen seien frei.

SMA Solar Technology AG

Sonnenallee 1
34266 Niestetal
Deutschland
Tel. +49 561 9522-0
Fax +49 561 9522-100
www.SMA.de
E-Mail: info@SMA.de
Stand: 16.06.2023

Copyright © 2023 SMA Solar Technology AG. Alle Rechte vorbehalten.

1 Hinweise zu diesem Dokument

1.1 Gültigkeitsbereich

Dieses Dokument gilt für:

- HS-BM-3.28-10 (SMA Home Storage 3.2)

1.2 Zielgruppe

Die in diesem Dokument beschriebenen Tätigkeiten dürfen nur Fachkräfte durchführen. Fachkräfte müssen über folgende Qualifikation verfügen:

- Kenntnis über Funktionsweise und Betrieb eines Wechselrichters
- Kenntnis über Funktionsweise und Betrieb von Batterien
- Schulung im Umgang mit Gefahren und Risiken bei der Installation, Reparatur und Bedienung elektrischer Geräte, Batterien und Anlagen
- Ausbildung für die Installation und Inbetriebnahme von elektrischen Geräten und Anlagen
- Kenntnis der einschlägigen Gesetze, Verordnungen, Normen und Richtlinien
- Kenntnis und Beachtung dieses Dokuments mit allen Sicherheitshinweisen

1.3 Inhalt und Struktur des Dokuments

Dieses Dokument enthält sicherheitsrelevante Informationen sowie eine grafische Anleitung für Installation und Inbetriebnahme (siehe Seite 79). Beachten Sie alle Informationen und führen Sie die grafisch dargestellten Handlungen in der vorgegebenen Reihenfolge aus.

Die aktuelle Version dieses Dokuments sowie die ausführliche Anleitung für die Installation, Inbetriebnahme, Konfiguration und Außerbetriebnahme finden Sie im PDF-Format unter www.SMA-Solar.com.

Abbildungen in diesem Dokument sind auf die wesentlichen Details reduziert und können vom realen Produkt abweichen.

1.4 Warnhinweistufen

Die folgenden Warnhinweistufen können im Umgang mit dem Produkt auftreten.

GEFÄHR

Kennzeichnet einen Warnhinweis, dessen Nichtbeachtung unmittelbar zum Tod oder zu schweren Verletzungen führt.

WARNUNG

Kennzeichnet einen Warnhinweis, dessen Nichtbeachtung zum Tod oder zu schweren Verletzungen führen kann.



! VORSICHT

Kennzeichnet einen Warnhinweis, dessen Nichtbeachtung zu leichten oder mittleren Verletzungen führen kann.

ACHTUNG

Kennzeichnet einen Warnhinweis, dessen Nichtbeachtung zu Sachschäden führen kann.

1.5 Symbole im Dokument

Symbol	Erklärung
	Information, die für ein bestimmtes Thema oder Ziel wichtig, aber nicht sicherheitsrelevant ist
	Kapitel, in dem die Installation und Inbetriebnahme grafisch dargestellt ist

2 Sicherheit

2.1 Bestimmungsgemäße Verwendung

SMA Home Storage ist ein Batteriemodul und kann in der SMA Home Storage Solution für Heimanwendungen, z. B. Eigenverbrauchsoptimierung, eingesetzt werden.

Die Kommunikationsschnittstelle des eingesetzten Wechselrichters muss kompatibel zum Produkt sein. Der gesamte Spannungsbereich muss vollständig innerhalb des zulässigen Eingangsspannungsbereichs des Wechselrichters liegen. Die maximal zulässige DC-Eingangsspannung des Produkts darf nicht überschritten werden.

Es dürfen keine zusätzlichen Verbraucher oder Komponenten im DC-Zwischenkreis zwischen Batterie und Wechselrichter vorgesehen werden.

Der erlaubte Betriebsbereich und die Installationsanforderungen aller Komponenten müssen jederzeit eingehalten werden.

Das Produkt darf ausschließlich als ortsfestes Betriebsmittel eingesetzt werden.

Das Produkt ist nicht für die Versorgung von lebenserhaltenden medizinischen Geräten geeignet. Ein Stromausfall darf zu keinem Personenschaden führen.

Das Produkt darf nur in Ländern eingesetzt werden, für die es zugelassen oder für die es durch SMA Solar Technology AG und den Netzbetreiber freigegeben ist.

Setzen Sie SMA Produkte ausschließlich nach den Angaben der beigefügten Dokumentationen und gemäß der vor Ort gültigen Gesetze, Bestimmungen, Vorschriften und Normen ein. Ein anderer Einsatz kann zu Personen- oder Sachschäden führen.

Eingriffe in SMA Produkte, z. B. Veränderungen und Umbauten, sind nur mit ausdrücklicher schriftlicher Genehmigung von SMA Solar Technology AG gestattet. Nicht autorisierte Eingriffe führen zum Wegfall der Garantie- und Gewährleistungsansprüche sowie in der Regel zum Erlöschen der Betriebserlaubnis. Die Haftung von SMA Solar Technology AG für Schäden aufgrund solcher Eingriffe ist ausgeschlossen.

Jede andere Verwendung des Produkts als in der bestimmungsgemäßen Verwendung beschrieben gilt als nicht bestimmungsgemäß.

Die beigelegten Dokumentationen sind Bestandteil des Produkts. Die Dokumentationen müssen gelesen, beachtet und jederzeit zugänglich und trocken aufbewahrt werden.

Dieses Dokument ersetzt keine regionalen, Landes-, Provinz-, bundesstaatlichen oder nationalen Gesetze sowie Vorschriften oder Normen, die für die Installation und die elektrische Sicherheit und den Einsatz des Produkts gelten. SMA Solar Technology AG übernimmt keine Verantwortung für die Einhaltung bzw. Nichteinhaltung dieser Gesetze oder Bestimmungen im Zusammenhang mit der Installation des Produkts.

Das Typenschild muss dauerhaft am Produkt angebracht sein.

2.2 Wichtige Sicherheitshinweise

Anleitung aufbewahren.

Dieses Kapitel beinhaltet Sicherheitshinweise, die bei allen Arbeiten immer beachtet werden müssen.

Das Produkt wurde gemäß internationaler Sicherheitsanforderungen entworfen und getestet. Trotz sorgfältiger Konstruktion bestehen, wie bei allen elektrischen oder elektronischen Geräten, Restrisiken. Um Personen- und Sachschäden zu vermeiden und einen dauerhaften Betrieb des Produkts zu gewährleisten, lesen Sie dieses Kapitel aufmerksam und befolgen Sie zu jedem Zeitpunkt alle Sicherheitshinweise.

GEFAHR

Lebensgefahr durch Stromschlag beim Berühren spannungsführender DC-Kabel

Die DC-Kabel, die an einer Batterie angeschlossen sind, können unter Spannung stehen. Das Berühren spannungsführender DC-Kabel führt zum Tod oder zu schweren Verletzungen durch Stromschlag.

- Vor allen Arbeiten Produkt und Wechselrichter spannungsfrei schalten und gegen Wiedereinschalten sichern.
- Keine freiliegenden spannungsführenden Teile oder Kabel berühren.
- Die DC-Steckverbinder nicht unter Last trennen.
- Bei allen Arbeiten am Produkt geeignete persönliche Schutzausrüstung tragen.

GEFAHR

Lebensgefahr durch Stromschlag beim Berühren unter Spannung stehender Gehäuseteile bei beschädigtem PE-Leiter

Falls der PE-Leiter des DC-Anschlusses beschädigt ist oder nicht korrekt angeschlossen wurde, können hohe Spannungen am Gehäuse des Produkts anliegen. Das Berühren spannungsführender Gehäuseteile führt zum Tod oder zu lebensgefährlichen Verletzungen durch Stromschlag.

- Erdungsleiter für den DC-Anschluss wie in diesem Dokument beschrieben anschließen.

! GEFAHR**Lebensgefahr durch Feuer oder Explosion wegen unsachgemäßer Handhabung der Batteriemodule**

Bei unsachgemäßer Handhabung der Batteriemodule kann sich das Lithium im Inneren der Batteriemodule entzünden. Dadurch kann Brand entstehen oder eine Explosion ausgelöst werden. Tod oder lebensgefährliche Verletzungen durch heiße oder wegfliegende Teile können die Folge sein.

- Niemals defekte oder beschädigte Batteriemodule verwenden.
- Die Batteriemodule nicht öffnen, durchbohren oder fallen lassen.
- Die Batteriemodule nicht in explosionsgefährdeten Bereichen oder in Bereichen mit hoher Luftfeuchtigkeit montieren und betreiben.
- Die Batteriemodule nicht hohen Temperaturen aussetzen.
- Die Batteriemodule nicht ins Feuer werfen.
- Die Batteriemodule trocken und innerhalb des vorgegebenen Temperaturbereichs lagern.
- Wenn ein Brand von der Batterie ausgeht, einen CO₂-Feuerlöscher nutzen.
- Bei einem Brand in der Umgebung der Batterie einen ABC-Feuerlöscher verwenden.

! GEFAHR**Lebensgefahr durch Stromschlag beim Berühren unter Spannung stehender Anlagenteile bei einem Erdschluss**

Bei einem Erdschluss können Anlagenteile unter Spannung stehen. Das Berühren spannungsführender Teile oder Kabel führt zum Tod oder zu lebensgefährlichen Verletzungen durch Stromschlag.

- Vor allen Arbeiten Produkt und Wechselrichter spannungsfrei schalten und gegen Wiedereinschalten sichern.
- Die Teile der Unterkonstruktion nicht anfassen.

! GEFAHR**Lebensgefahr durch Stromschlag beim Berühren spannungsführender Teile bei geöffnetem Produkt**

Im Betrieb liegen an den spannungsführenden Teilen und Kabel im Inneren des Produkts hohe Spannungen an. Das Berühren spannungsführender Teile oder Kabel führt zum Tod oder zu lebensgefährlichen Verletzungen durch Stromschlag.

- Das Produkt nicht öffnen.

WARNUNG

Lebensgefahr durch Stromschlag bei Zerstörung eines Messgeräts durch Überspannung

Eine Überspannung kann ein Messgerät beschädigen und zum Anliegen einer Spannung am Gehäuse des Messgeräts führen. Das Berühren des unter Spannung stehenden Gehäuses des Messgeräts führt zum Tod oder zu lebensgefährlichen Verletzungen durch Stromschlag.

- Nur Messgeräte mit einem DC-Eingangsspannungsbereich bis mindestens 1500 V oder höher einsetzen.

WARNUNG

Lebensgefahr durch Verbrennungen bei Lichtbögen aufgrund von Kurzschluss-Strömen

Kurzschluss-Ströme der Batterie können Hitzeentwicklungen und Lichtbögen verursachen. Hitzeentwicklungen und Lichtbögen können zu lebensgefährlichen Verletzungen durch Verbrennung führen.

- Vor allen Arbeiten an der Batterie die Batterie spannungsfrei schalten.
- Vor allen Arbeiten an der Batterie Uhren, Ringe und andere Metallobjekte ablegen.
- Bei allen Arbeiten an der Batterie isoliertes Werkzeug und isolierte Handschuhe verwenden.
- Keine Werkzeuge oder Metallteile auf die Batterie legen.

WARNUNG

Lebensgefahr durch Feuer oder Explosion bei tiefentladenen Batterien

Beim fehlerhaften Aufladen von tiefentladenen Batterien kann ein Brand entstehen. Tod oder schwere Verletzungen können die Folge sein.

- Die Batterie spätestens 6 Monate nach Auslieferung in Betrieb nehmen.
- Wenn die Batterie nicht innerhalb von 6 Monaten in Betrieb genommen werden kann, eine Nachzyklisierung des Batteriespeichers beim Service anfordern.
- Vor Inbetriebnahme des Systems sicherstellen, dass die Batterie nicht tiefentladen ist.
- Das System nicht in Betrieb nehmen, wenn die Batterie tiefentladen ist.
- Wenn die Batterie tiefentladen ist, Service kontaktieren.

⚠️ WARNUNG**Verletzungsgefahr durch giftige Substanzen, Gase und Stäube**

In seltenen Einzelfällen können, durch Beschädigungen an elektronischen Bauteilen, giftige Substanzen, Gase und Stäube im Inneren des Produkts entstehen. Das Berühren giftiger Substanzen sowie das Einatmen giftiger Gase und Stäube kann zu Hautreizungen, Verätzungen, Atembeschwerden und Übelkeit führen.

- Gehäuse der Batterie vor Zerstörung schützen.
- Batterie nicht öffnen oder deformieren.
- Batterien nicht ins Feuer werfen. Batterien können im Feuer explodieren.
- Arbeiten an der Batterie (z. B. Fehlersuche, Reparaturarbeiten) nur mit persönlicher Schutzausrüstung für den Umgang mit Gefahrstoffen (z. B. Schutzhandschuhe, Augen- und Gesichtsschutz und Atemschutz) durchführen.
- Säurespritzer mit klarem Wasser lange und gründlich abspülen und anschließend Arzt aufsuchen.
- Wenn Säuredämpfe eingeatmet wurden, sofort einen Arzt aufsuchen.
- Sicherstellen, dass Unbefugte keinen Zutritt zum Produkt haben.
- Batterie entsprechend den Herstellervorgaben installieren, betreiben, warten und entsorgen.

⚠️ WARNUNG**Verletzungsgefahr durch das Gewicht der Batteriemodule**

Durch falsches Heben und durch Herunterfallen der Batteriemodule bei Transport oder der Montage können Verletzungen entstehen

- Batteriemodule vorsichtig transportieren und heben. Dabei das Gewicht jeder einzelnen Komponente beachten.
- Batteriemodule nur einzeln transportieren.
- Bei allen Arbeiten an der Batterie geeignete persönliche Schutzausrüstung tragen, mindestens Sicherheitsschuhe mit durchtrittsicherer Sohle und Stahlkappe.

⚠️ VORSICHT**Verbrennungsgefahr durch heiße Batteriemodule**

Das Batteriemodul kann während des Betriebs heiß werden. Das Berühren heißer Batteriemodule kann zu Verbrennungen führen.

- Vor Berühren des Batteriemodules warten, bis die Batteriemodule abgekühlt sind.

ACHTUNG**Beschädigung der Batteriemodule durch Feuchtigkeit oder korrosiver Substanzen**

Durch das Eindringen von Feuchtigkeit oder korrosiver Substanzen kann das Produkt beschädigt und die Funktion beeinträchtigt werden.







- Batteriemodule nicht in Flüssigkeit tauchen.
- Batteriezellen keinen korrosiven Substanzen aussetzen (z. B. Ammoniak, Salz).








ACHTUNG**Beschädigung des Produkts durch Reinigungsmittel**

Durch die Verwendung von Reinigungsmitteln können das Produkt und Teile des Produkts beschädigt werden.

- Die Batterie und alle Teile der Batterie ausschließlich mit einem trockenem Tuch reinigen.

3 Symbole am Produkt

Symbol	Erklärung
	Warnung vor einer Gefahrenstelle Dieses Symbol weist darauf hin, dass das Produkt zusätzlich geerdet werden muss, wenn vor Ort eine zusätzliche Erdung oder ein Potenzialausgleich gefordert ist.
	Warnung vor elektrischer Spannung Das Produkt arbeitet mit hohen Spannungen.
	Warnung vor Gefahren durch Batterien Dieses Symbol weist auf die Gefährlichkeit des Umgangs mit Batterien hin.
	Warnung vor explosionsgefährlichen Stoffen Bei unsachgemäßer Handhabung oder bei einem Brand kann sich das Produkt entzünden oder explodieren.
	Warnung vor ätzenden Stoffen Das Produkt enthält ätzende Substanzen, die bei direktem Hautkontakt schwerwiegende Verletzungen verursachen können.
	Dokumentationen beachten Beachten Sie alle Dokumentationen, die mit dem Produkt geliefert werden.

Symbol	Erklärung
	Augenschutz verwenden Bei allen Arbeiten am Gerät ist ein Augenschutz zu tragen.
	Kein offenes Feuer Der Umgang mit offenem Feuer und Zündquellen ist in der unmittelbaren Umgebung des Produkts verboten.
	Zutritt für Kinder verboten Kinder müssen vom Produkt ferngehalten werden.
	Erdung Dieses Symbol kennzeichnet den Ort für den Anschluss zusätzlicher Schutzleiter.
	WEEE-Kennzeichnung Entsorgen Sie das Produkt nicht über den Hausmüll, sondern nach den am Installationsort gültigen Entsorgungsvorschriften für Elektroschrott.
	Das Produkt ist für die Montage im Außenbereich geeignet.
IP65	Schutzart IP65 Das Produkt ist gegen Eindringen von Staub und vor Wasser, das aus jeder Richtung als Strahl gegen das Gehäuse gerichtet ist, geschützt.
CE	CE-Kennzeichnung Das Produkt entspricht den Anforderungen der zutreffenden EU-Richtlinien.
UK CA	UKCA-Kennzeichnung Das Produkt entspricht den Verordnungen der zutreffenden Gesetze von England, Wales und Schottland.
	RoHS-Kennzeichnung Das Produkt entspricht den Anforderungen der zutreffenden EU-Richtlinien.
	RCM (Regulatory Compliance Mark) Das Produkt entspricht den Anforderungen der zutreffenden australischen Standards.

4 Transport der Batterie

VORSICHT

Verletzungsgefahr durch unsachgemäßen Transport

Durch unsachgemäßen Transport oder mangelhafte Transportsicherung kann die Batterie verrutschen oder kippen. Das Verrutschen oder Kippen der Batterie kann Verletzungen verursachen.

- Batterie vorsichtig transportieren und heben. Dabei das Gewicht der Batterie beachten.
- Die Batterie im Fahrzeug senkrecht und rutschsicher aufstellen.
- Die Batterie mit Haltebändern gegen Verrutschen und Kippen sichern.
- Bei allen Arbeiten an der Batterie geeignete persönliche Schutzausrüstung tragen.

DEUTSCH

Alle Anforderungen der Gefahrgutverordnung Straße, Eisenbahn und Binnenschifffahrt (GGVSEB) und des Übereinkommens über die internationale Beförderung gefährlicher Güter auf der Straße (ADR) müssen stets eingehalten werden:

- Ausschließlich geschultes und unterwiesenes Personal darf die Batteriemodule auf öffentlichen Straßen transportieren. Die Unterweisungen sind zu dokumentieren und wiederkehrend vorzunehmen
- Während der Fahrt darf im Fahrzeug nicht geraucht werden.
- Beim Be- und Entladen des Fahrzeugs darf im Fahrzeug selbst und in der unmittelbaren Umgebung des Fahrzeugs nicht geraucht werden.
- Mitzuführen sind 2 geprüfte Metallbrandfeuerlöscher Brandklasse D (Mindestfassungsvermögen 2 kg) und 1 Gefahrgutausrüstung gemäß ADR.
- Die Umverpackung des Batteriemoduls darf während des Transports nicht geöffnet werden.

5 EU-Konformitätserklärung

im Sinne der EU-Richtlinien

- Elektromagnetische Verträglichkeit 2014/30/EU (29.3.2014 L 96/79-106) (EMV)
- Niederspannung 2014/35/EU (29.3.2014 L 96/357-374) (NSR)
- Beschränkung der Verwendung bestimmter gefährlicher Stoffe 2011/65/EU (08.06.2011 L 174/88) und 2015/863/EU (31.03.2015 L 137/10) (RoHS)



Hiermit erklärt SMA Solar Technology AG, dass sich die in diesem Dokument beschriebenen Produkte in Übereinstimmung mit den grundlegenden Anforderungen und anderen relevanten Bestimmungen der oben genannten Richtlinien befinden. Weiterführende Informationen zur Auffindbarkeit der vollständigen Konformitätserklärung finden Sie unter <https://www.sma.de/en/ce-ukca>.

6 UK-Konformitätserklärung

entsprechend der Verordnungen von England, Wales und Schottland

- Electromagnetic Compatibility Regulations 2016 (SI 2016/1091)
- Electrical Equipment (Safety) Regulations 2016 (SI 2016/1101)
- The Restriction of the Use of Certain Hazardous Substances in Electrical and Electronic Equipment Regulations 2012 (SI 2012/3032)



Hiermit erklärt SMA Solar Technology AG, dass sich die in diesem Dokument beschriebenen Produkte in Übereinstimmung mit den grundlegenden Anforderungen und anderen relevanten Bestimmungen der oben genannten Verordnungen befinden. Weiterführende Informationen zur Auffindbarkeit der vollständigen Konformitätserklärung finden Sie unter <https://www.sma.de/en/ce-ukca>.

SMA Solar UK Ltd.

Countrywide House
23 West Bar, Banbury
Oxfordshire, OX16 9SA
United Kingdom

Disposiciones legales

SMA Solar Technology AG es propietaria de todos los derechos de la información que se facilita en esta documentación. Queda prohibida la reproducción total o parcial de este documento, así como su almacenamiento en un sistema de recuperación y toda transmisión electrónica, mecánica, fotográfica, magnética o de otra índole sin previa autorización por escrito de SMA Solar Technology AG. Sí está permitida, sin necesidad de autorización previa, su reproducción para el uso interno, para evaluar el producto o para el uso previsto.

SMA Solar Technology AG no establece representaciones, ni expresas ni implícitas, con respecto a estas instrucciones o a cualquiera de los accesorios o software aquí descritos, incluyendo (sin limitación) cualquier garantía implícita en cuanto a utilidad, adaptación al mercado o aptitud para cualquier propósito particular. Tales garantías quedan expresamente denegadas. Ni SMA Solar Technology AG, ni sus distribuidores o vendedores serán responsables por ningún daño directo o indirecto, incidental o resultante, bajo ninguna circunstancia.

La exclusión de garantías implícitas mencionada anteriormente puede no ser aplicable en todos los casos.

Las especificaciones están sujetas a cambios sin previo aviso. Se ha tratado por todos los medios de hacer que este documento sea completo y preciso y esté actualizado. Sin embargo, advertimos a los lectores que SMA Solar Technology AG se reservan el derecho de cambiar estas especificaciones sin previo aviso o conforme con las condiciones del existente contrato de entrega si lo consideran adecuado para optimizar el producto y su uso. SMA Solar Technology AG no será responsable por ningún daño, ya sea indirecto, incidental o resultante, como consecuencia de confiar en el material que se presenta, incluyendo, aunque no exclusivamente, omisiones, errores tipográficos, aritméticos o de listado en el material del contenido.

Garantía de SMA

En www.SMA-Solar.com podrá descargar las condiciones de garantía actuales.

Marcas registradas

Se reconocen todas las marcas registradas, incluso si no están señaladas por separado. La falta de señalización no implica que la mercancía o las marcas sean libres.

SMA Solar Technology AG

Sonnenallee 1

34266 Niestetal

Alemania

Tel. +49 561 9522-0

Fax +49 561 9522-100

www.SMA.de

Email: info@SMA.de

Versión: 16/06/2023

Copyright © 2023 SMA Solar Technology AG. Reservados todos los derechos.

1 Indicaciones sobre este documento

1.1 Área de validez

Este documento es válido para:

- HS-BM-3.28-10 (SMA Home Storage 3.2)

1.2 Grupo de destinatarios

Las actividades descritas en este documento deben realizarlas exclusivamente especialistas que han de contar con esta cualificación:

- Conocimientos sobre los procedimientos y el funcionamiento de un inversor
- Conocimientos sobre los procedimientos y el funcionamiento de las baterías
- Formación sobre cómo actuar ante los peligros y riesgos relativos a la instalación, la reparación y el manejo de equipos eléctricos, baterías y plantas
- Formación profesional para la instalación y la puesta en marcha de equipos eléctricos y plantas
- Conocimiento de las leyes, reglamentos, normativas y directivas aplicables
- Conocimiento y seguimiento de este documento y de todas sus indicaciones de seguridad

1.3 Contenido y estructura del documento

Este documento contiene información relevante de seguridad e instrucciones gráficas para la instalación y la puesta en funcionamiento (consulte la página 79). Tenga en cuenta toda la información y siga los pasos representados con imágenes en el orden indicado.

Encontrará la versión actual de este documento así como las instrucciones detalladas para la instalación, puesta en marcha, configuración y puesta fuera de servicio en formato PDF en www.SMA-Solar.com.

Las imágenes en este documento han sido reducidas a lo esencial y pueden diferir del producto original.

1.4 Niveles de advertencia



Cuando se trate con el producto pueden darse estos niveles de advertencia.

 PELIGRO
Representa una advertencia que, de no ser observada, causa la muerte o lesiones físicas graves.
 ADVERTENCIA
Representa una advertencia que, de no ser observada, puede causar la muerte o lesiones físicas graves.
 ATENCIÓN
Representa una advertencia que, de no ser observada, puede causar lesiones físicas leves o de gravedad media.

PRECAUCIÓN

Representa una advertencia que, de no ser observada, puede causar daños materiales.

1.5 Símbolos del documento

Símbolo	Explicación
	Información importante para un tema u objetivo concretos, aunque no relevante para la seguridad
	Capítulo en el que se presenta de forma gráfica la instalación y la puesta en marcha

2 Seguridad

2.1 Uso previsto

SMA Home Storage es un módulo de batería que puede utilizarse en la SMA Home Storage Solution para aplicaciones domésticas como, por ejemplo, optimizar el autoconsumo.

La interfaz de comunicación del inversor empleado debe ser compatible con el producto. Todo el rango de tensión debe situarse completamente dentro del rango de tensión de entrada admisible del inversor. No debe sobrepasarse la tensión de entrada de CC máxima admisible del producto. No puede haber cargas ni componentes adicionales en el circuito intermedio de CC entre la batería y el inversor.

Deben respetarse en todo momento el rango de funcionamiento admisible y los requisitos de instalación de todos los componentes.

El producto únicamente puede utilizarse como equipo estacionario.

El producto no es apto para la alimentación de equipos médicos de soporte vital. Un apagón no debe causar daños a personas.

El producto solo debe utilizarse en los países donde esté autorizado o para los que haya sido aprobado por SMA Solar Technology AG y el operador de red.

Utilice siempre los productos de SMA de acuerdo con las indicaciones de la documentación adjunta y observe las leyes, reglamentos, reglas y normas vigentes. Cualquier otro uso puede causarle lesiones al usuario o daños materiales.

Para realizar cualquier intervención en los productos de SMA, como modificaciones o remodelaciones, deberá contar con el permiso expreso y por escrito de SMA Solar Technology AG. Los cambios no autorizados conllevan la pérdida de los derechos de garantía, así como la extinción de la autorización de operación. Queda excluida la responsabilidad de SMA Solar Technology AG por los daños derivados de dichos cambios.

Cualquier uso del producto distinto al descrito en el uso previsto se considerará inadecuado.

La documentación adjunta es parte integrante del producto. La documentación debe leerse, observarse y guardarse en un lugar accesible en todo momento y seco.

Este documento no sustituye en ningún caso a cualquier legislación, reglamento o norma regional, federal, provincial o estatal aplicables a la instalación, la seguridad eléctrica y el uso del producto. SMA Solar Technology AG no asume responsabilidad alguna relativa al cumplimiento o al incumplimiento de la legislación o las disposiciones relacionadas con la instalación del producto. La placa de características debe permanecer colocada en el producto en todo momento.

2.2 Indicaciones importantes para la seguridad

Conservar instrucciones

Este capítulo contiene indicaciones de seguridad que deben observarse siempre en todos los trabajos que se realizan.

Este producto se ha construido en cumplimiento de los requisitos internacionales relativos a la seguridad. A pesar de estar cuidadosamente contruidos, existe un riesgo residual como con todos los equipos eléctricos. Para evitar daños personales y materiales y garantizar el funcionamiento permanente del producto, lea detenidamente este capítulo y cumpla siempre las indicaciones de seguridad.

PELIGRO

Peligro de muerte por descarga eléctrica por contacto con cables de CC conductores de tensión

Los cables de CC conectados a una batería pueden encontrarse bajo tensión. Tocar los cables de CC bajo tensión causa la muerte o lesiones graves por descarga eléctrica.

- Antes de cualquier trabajo, desconectar el producto y el inversor y asegurar el producto contra cualquier reconexión accidental.
- No toque piezas o cables conductores de tensión descubiertos.
- No desconecte el conector de enchufe de CC bajo carga.
- Utilice equipamientos de protección personal adecuado cuando realice trabajos en el producto.

PELIGRO

Peligro de muerte por descarga eléctrica si se tocan partes de la carcasa bajo tensión estando un conductor de protección dañado

Si el conductor de protección de la conexión de CC está dañado o no está conectado correctamente, pueden producirse altas tensiones en la carcasa del producto. El contacto con partes de la carcasa conductoras de tensión puede causar la muerte o lesiones mortales por descarga eléctrica.

- Conecte el conductor de protección para la conexión de CC tal y como se describe en este documento.

⚠ PELIGRO**Peligro de muerte por fuego o explosión a causa de un manejo inadecuado de los módulos de batería**

Un manejo inadecuado de los módulos de batería puede hacer que se inflame el litio que contienen. Ello puede provocar un incendio o desencadenar una explosión. Piezas calientes o que salen despedidas pueden causar lesiones que pongan en peligro la vida o incluso la muerte.

- Nunca deben utilizarse módulos de batería defectuosos o dañados.
- No abrir, perforar o dejar caer los módulos de batería.
- No montar ni utilizar los módulos de batería en áreas potencialmente explosivas o en áreas con una humedad del aire elevada.
- No exponer los módulos de batería a altas temperaturas.
- No arrojar al fuego los módulos de batería.
- Almacenar los módulos de batería en un lugar seco y dentro del rango de temperaturas especificado.
- Si se produce un incendio en la batería, utilizar un extintor de CO₂.
- En caso de un incendio en los alrededores de la batería, utilizar un extintor ABC.

⚠ PELIGRO**Peligro de muerte por descarga eléctrica si se tocan partes de la planta bajo tensión en caso de fallo a tierra**

En caso de fallo a tierra los componentes de la planta pueden estar bajo tensión. El contacto con componentes conductores de tensión o cables puede causar la muerte o lesiones mortales por descarga eléctrica.

- Antes de cualquier trabajo, desconectar el producto y el inversor y asegurar el producto contra cualquier reconexión accidental.
- No toque las piezas de la subestructura.

⚠ PELIGRO**Peligro de muerte por descarga eléctrica por contacto con componentes conductores de tensión con el inversor abierto**

Durante el funcionamiento en los componentes conductores y en los cables en el interior del producto existen altas tensiones. El contacto con componentes conductores de tensión o cables puede causar la muerte o lesiones mortales por descarga eléctrica.

- No abra el producto.

⚠ ADVERTENCIA**Peligro de muerte por descarga eléctrica en caso de daño irreparable en un equipo de medición por una sobretensión**

Una sobretensión puede dañar un equipo de medición y provocar que exista tensión en la carcasa del equipo de medición. Tocar la carcasa del equipo de medición bajo tensión puede causar la muerte o lesiones mortales por descarga eléctrica.

- Use solo equipos de medición con un rango de tensión de entrada de CC de hasta 1500 V como mínimo.

⚠ ADVERTENCIA**Peligro de muerte por quemaduras causadas por arcos voltaicos debidos a corrientes de cortocircuito.**

Las corrientes de cortocircuito de la batería pueden originar subidas de temperatura y arcos voltaicos. El desarrollo de calor y los arcos voltaicos pueden provocar lesiones mortales por quemaduras.

- Antes de efectuar cualquier trabajo en la batería, desconéctela de la tensión.
- Antes de realizar cualquier trabajo con la batería, retire relojes, anillos u otros objetos de metal.
- Para cualquier trabajo en la batería, utilizar una herramienta aislada y guantes aislados.
- No ponga herramientas o piezas de metal sobre la batería.

⚠ ADVERTENCIA**Peligro de muerte por fuego o explosión con baterías descargadas por completo**

Si se cargan de forma incorrecta baterías completamente descargadas, puede producirse un incendio. Esto puede causar lesiones graves o incluso la muerte.

- Poner en funcionamiento la batería como muy tarde a los 6 meses de la entrega.
- Si la batería no se puede poner en funcionamiento en un plazo de 6 meses, solicitar al servicio técnico un ciclado sucesivo del sistema de batería.
- Antes de poner en marcha el sistema, asegúrese de que la batería no se encuentre descargada por completo.
- No ponga en funcionamiento el sistema si la batería está completamente descargada.
- Si la batería está descargada por completo, contactar con el servicio técnico.

⚠ ADVERTENCIA**Peligro de lesiones por sustancias tóxicas, gases y polvos.**

En algunos casos aislados, en el interior del producto pueden existir sustancias tóxicas, gases y polvos debidos a daños en los componentes electrónicos. El contacto con sustancias tóxicas y la inhalación de gases y polvos tóxicos puede causar irritación de la piel, quemaduras, dificultades respiratorias y náuseas.

- Proteja la carcasa de la batería de posibles daños.
- No abra o deforme la batería.
- No lance la batería al fuego. Las baterías pueden explotar en el fuego.
- Para trabajar con la batería (por ejemplo, para detectar averías o llevar a cabo reparaciones), utilice siempre equipo de protección personal para el tratamiento de sustancias peligrosas (por ejemplo, guantes de protección, protección ocular y facial y protección respiratoria).
- Si se producen salpicaduras de ácido, enjuáguelas en profundidad con abundante agua limpia y acuda a un profesional médico.
- Si ha inhalado vapor de ácido, acuda al médico inmediatamente.
- Asegúrese de que las personas no autorizadas no tienen acceso al producto.
- La batería debe instalarse, mantenerse, utilizarse y eliminarse de acuerdo con las normas del fabricante.

⚠ ADVERTENCIA**Peligro de lesiones por el peso de los módulos de batería**

Existe peligro de lesiones al levantar los módulos de batería de forma inadecuada y si se caen durante el transporte o el montaje

- Transporte y eleve los módulos de batería con cuidado. Prestar atención al peso de cada componente individual.
- Transporte los módulos de batería de forma individual.
- Llevar un equipamiento de protección individual adecuado para todos los trabajos en la batería, al menos calzado de seguridad con suela a prueba de penetración y puntera de acero.

⚠ ATENCIÓN**Peligro de quemaduras debido a módulos de batería calientes**

El módulo de batería puede calentarse durante el funcionamiento. Si se tocan los módulos de batería calientes, pueden producirse quemaduras.

- Antes de tocar el módulo de batería, espere a que se enfríe.

PRECAUCIÓN**Daños en los módulos de batería por humedad o por sustancias corrosivas**

Si penetra humedad o sustancias corrosivas, el producto podría resultar dañado y sus funciones podrían verse limitadas.



- No sumerja los módulos de batería en ningún líquido.
- No exponer las celdas de la batería a sustancias corrosivas (por ejemplo, amoníaco, sal).








PRECAUCIÓN**Daños en el productos debido a detergentes de limpieza**

Si utiliza productos de limpieza, puede dañar el producto y componentes del producto.

- Limpie la batería y todas sus piezas únicamente con un paño seco.

3 Símbolos del producto

Símbolo	Explicación
	Advertencia de punto peligroso Este símbolo advierte de que el producto debe tener una conexión a tierra adicional si en el lugar de instalación se requiere una toma a tierra adicional o una conexión equipotencial.
	Advertencia de tensión El producto funciona con tensiones altas.
	Advertencia sobre los peligros de las baterías Este símbolo advierte del peligro del manejo de las baterías.
	Advertencia de sustancias explosivas En caso de manipulación incorrecta o incendio, el producto puede inflamarse o explotar.
	Advertencia de sustancias corrosivas El producto contiene sustancias corrosivas que pueden causar lesiones graves en caso de contacto directo con la piel.
	Tenga en cuenta la documentación Tenga en cuenta toda la documentación suministrada con el producto.
	Utilizar protección ocular Debe utilizarse protección ocular durante todos los trabajos en el equipo.

Símbolo	Explicación
	No hacer fuego Se prohíbe manipular fuego abierto y fuentes de ignición en las inmediaciones del producto.
	Prohibido el acceso a niños Los niños deben mantenerse alejados del producto.
	Toma a tierra Este símbolo identifica el lugar para la conexión de conductores de protección adicionales
	Señalización WEEE No deseché el producto con los residuos domésticos, sino de conformidad con las disposiciones sobre eliminación de residuos electrónicos vigentes en el lugar de instalación.
	El producto es apropiado para montarse en exteriores.
IP65	Tipo de protección IP65 El producto está protegido contra la infiltración de polvo y agua proyectada en chorros de agua de todas las direcciones hacia la carcasa.
CE	Identificación CE El producto cumple los requisitos de las directivas aplicables de la Unión Europea.
UK CA	Marcado UKCA El producto cumple con la normativa de las leyes aplicables de Inglaterra, Gales y Escocia.
	Identificación RoHS El producto cumple los requisitos de las directivas aplicables de la Unión Europea.
	RCM (Regulatory Compliance Mark) El producto cumple con los requisitos de los estándares australianos aplicables.

4 Transporte de la batería

⚠ ATENCIÓN

Peligro de lesiones por un transporte incorrecto

Si el transporte o la sujeción durante el transporte no son adecuados, la batería puede deslizarse o inclinarse. Si la batería se desliza o se inclina, puede causar lesiones.

- Transporte y eleve la batería con cuidado. Tenga en cuenta el peso de la batería.
- Coloque la batería en el vehículo en posición vertical y sin posibilidad de que se desplace.
- Asegure la batería con correas de sujeción para evitar que se deslice y se incline.
- Utilice un equipamiento de protección personal adecuado en todos los trabajos con la batería.

Cumplir en todo momento todos los requisitos del Reglamento sobre Mercancías Peligrosas para el Transporte por Carretera, Ferrocarril y Navegación Interior (GGVSEB) y del Acuerdo relativo al Transporte Internacional de Mercancías Peligrosas por Carretera (ADR):

- Únicamente personal formado e instruido puede transportar los módulos de batería por la vía pública. Las instrucciones deben documentarse y ejecutarse de forma reiterada
- No está permitido fumar en el vehículo mientras se conduce.
- Durante la carga y descarga eléctrica del vehículo, no está permitido fumar en el propio vehículo ni en sus inmediaciones.
- Deben llevarse 2 extintores de metal probados, clase de incendio D (capacidad mínima 2 kg) y 1 equipo para mercancías peligrosas según ADR.
- El embalaje exterior del módulo de batería no debe abrirse durante el transporte.

5 Declaración de conformidad UE

En virtud de las directivas europeas

- Compatibilidad electromagnética 2014/30/EU (29.3.2014 L 96/79-106) (CEM)
- Baja tensión 2014/35/EU (29.3.2014 L 96/357-374) (DBT)
- Restricciones a la utilización de determinadas sustancias peligrosas 2011/65/EU (8.6.2011 L 174/88) y 2015/863/UE (31.3.2015 L 137/10) (RoHS)



Por la presente, SMA Solar Technology AG declara que los productos descritos en este documento cumplen los requisitos básicos y cualquier otra disposición relevante de las directivas mencionadas anteriormente. Encontrará más información sobre la declaración de conformidad completa en <https://www.sma.de/en/ce-ukca>.

6 Declaración de conformidad UK

conforme con la normativa de Inglaterra, Gales y Escocia

- Electromagnetic Compatibility Regulations 2016 (SI 2016/1091)
- Electrical Equipment (Safety) Regulations 2016 (SI 2016/1101)
- The Restriction of the Use of Certain Hazardous Substances in Electrical and Electronic Equipment Regulations 2012 (SI 2012/3032)



Por la presente, SMA Solar Technology AG declara que los productos descritos en este documento cumplen los requisitos básicos y cualquier otra disposición relevante de las normativas mencionadas anteriormente. Encontrará más información sobre la declaración de conformidad completa en <https://www.sma.de/en/ce-ukca>.

SMA Solar UK Ltd.

Countrywide House
23 West Bar, Banbury
Oxfordshire, OX16 9SA
United Kingdom

Dispositions légales

Les informations contenues dans ce document sont la propriété de SMA Solar Technology AG. Aucune partie du présent document ne peut être reproduite, stockée dans un système d'extraction de données ou transmise par quelque moyen que ce soit (électroniquement, mécaniquement, par photocopie ou par enregistrement) sans l'accord écrit préalable de SMA Solar Technology AG. Une reproduction interne destinée à l'évaluation du produit ou à son utilisation conforme est autorisée et ne requiert aucun accord de notre part.

SMA Solar Technology AG ne fait aucune déclaration ni ne donnent aucune garantie, explicite ou implicite, concernant l'ensemble de la documentation ou les logiciels et accessoires qui y sont décrits, incluant, sans limitation, toutes garanties légales implicites relatives au caractère marchand et à l'adéquation d'un produit à un usage particulier. ne fait aucune déclaration ni ne donne aucune garantie, explicite ou implicite, concernant l'ensemble de la documentation ou les logiciels et accessoires qui y sont décrits, incluant, sans limitation, toutes garanties légales implicites relatives au caractère marchand et à l'adéquation d'un produit à un usage particulier. De telles garanties sont expressément exclues. SMA Solar Technology AG et ses revendeurs respectifs ne sauraient et ce, sous aucune circonstance, être tenus responsables en cas de pertes ou de dommages directs, indirects ou accidentels.

L'exclusion susmentionnée des garanties implicites peut ne pas être applicable à tous les cas.

Les spécifications peuvent être modifiées sans préavis. Tous les efforts ont été mis en œuvre pour que ce document soit élaboré avec le plus grand soin et tenu aussi à jour que possible. SMA Solar Technology AG avertit toutefois les lecteurs qu'elle se réserve le droit d'apporter des modifications aux présentes spécifications sans préavis ou conformément aux dispositions du contrat de livraison existant, dès lors qu'elle juge de telles modifications opportunes à des fins d'amélioration du produit ou d'expériences d'utilisation. SMA Solar Technology AG décline toute responsabilité pour d'éventuelles pertes ou d'éventuels dommages indirects ou accidentels causés par la confiance placée dans le présent matériel, comprenant notamment les omissions, les erreurs typographiques, les erreurs arithmétiques ou les erreurs de listage dans le contenu de la documentation.

Garantie SMA

Vous pouvez télécharger les conditions de garantie actuelles sur le site www.SMA-Solar.com.

Marques déposées

Toutes les marques déposées sont reconnues, y compris dans les cas où elles ne sont pas explicitement signalées comme telles. L'absence de l'emblème de marque ne signifie pas qu'un produit ou une marque puisse être librement commercialisé(e).

SMA Solar Technology AG

Sonnenallee 1
34266 Niestetal
Allemagne
Tél. +49 561 9522-0
Fax +49 561 9522-100
www.SMA-Solar.com
E-mail : info@SMA.de

État actuel : 16/06/2023

Copyright © 2023 SMA Solar Technology AG. Tous droits réservés.

1 Remarques relatives à ce document

1.1 Champ d'application

Ce document est valable pour les :

- HS-BM-3.28-10 (SMA Home Storage 3.2)

1.2 Groupe cible

Les opérations décrites dans le présent document doivent uniquement être réalisées par un personnel qualifié. Ce dernier doit posséder les qualifications suivantes :

- Connaissances relatives au mode de fonctionnement et à l'exploitation d'un onduleur
- Connaissance du fonctionnement et de l'utilisation des batteries
- Formation au comportement à adopter face aux dangers et risques encourus lors de l'installation, la réparation et la manipulation d'appareils, de batteries et d'installations électriques
- Formation à l'installation et à la mise en service des appareils et installations électriques
- Connaissance des lois, règlements, normes et directives pertinents
- Connaissance et respect du présent document avec toutes les consignes de sécurité

1.3 Contenu et structure du document

Le présent document contient des informations relatives à la sécurité ainsi que des instructions graphiques concernant l'installation et la mise en service (voir page 79). Veuillez tenir compte de toutes les informations fournies et exécuter les actions représentées graphiquement dans le présent document dans l'ordre donné.

Vous trouverez la version la plus récente de ce document ainsi que les instructions complètes pour l'installation, la mise en service, la configuration et la mise hors service du produit au format PDF sur www.SMA-Solar.com.

Les illustrations du présent document sont réduites aux détails essentiels et peuvent différer du produit réel.

1.4 Niveaux de mise en garde

Les niveaux de mise en garde suivants peuvent apparaître en vue d'un bon maniement du produit.

 **DANGER**

Indique une mise en garde dont le non-respect entraîne des blessures corporelles graves, voire la mort.

⚠ AVERTISSEMENT

Indique une mise en garde dont le non-respect peut entraîner des blessures corporelles graves, voire la mort.



⚠ ATTENTION

Indique une mise en garde dont le non-respect peut entraîner des blessures corporelles légères ou de moyenne gravité.

PRUDENCE

Indique une mise en garde dont le non-respect peut entraîner des dommages matériels.

1.5 Symboles utilisés dans le document

Symbole	Explication
	Information importante sur un thème ou un objectif précis, mais ne relevant pas de la sécurité
	Chapitre comprenant une représentation graphique de l'installation et de la mise en service

2 Sécurité

2.1 Utilisation conforme

SMA Home Storage est un module de batterie qui peut être utilisé dans la SMA Home Storage Solution pour des applications domestiques comme l'optimisation de l'autoconsommation.

L'interface de communication de l'onduleur utilisé doit être compatible avec le produit. Toute la plage de tension doit se situer entièrement dans la plage de tension d'entrée autorisée de l'onduleur. La tension d'entrée DC maximale autorisée du produit ne doit pas être dépassée.

Ne jamais prévoir d'installer d'autres charges ou composants dans le circuit intermédiaire DC entre la batterie et l'onduleur.

La plage de fonctionnement autorisée et les exigences pour les installations de tous les composants doivent être respectées en toutes circonstances.

Le produit doit exclusivement être utilisé comme matériel stationnaire.

Le produit ne convient pas à l'alimentation de dispositifs médicaux d'assistance à la vie. Une panne de courant ne doit entraîner aucun dommage corporel.

Le produit ne doit être utilisé que dans les pays pour lesquels il est homologué ou pour lesquels il a été autorisé par SMA Solar Technology AG et par l'exploitant de réseau.

Utilisez des produits SMA exclusivement en conformité avec la documentation fournie ainsi qu'avec les lois, dispositions, prescriptions, normes et directives en vigueur sur le site. Tout autre usage peut compromettre la sécurité des personnes ou entraîner des dommages matériels.

Les interventions sur les produits SMA (modifications ou transformations, par exemple) ne sont autorisées qu'après accord écrit exprès de SMA Solar Technology AG. Toute intervention non autorisée entraîne l'annulation de la garantie légale et commerciale et, en règle générale, le retrait de l'autorisation d'exploitation. SMA Solar Technology AG décline toute responsabilité en cas de dommages résultant d'une telle intervention.

Toute utilisation du produit différente de celle décrite dans l'utilisation conforme est considérée comme non conforme.

Les documents joints font partie intégrante du produit. Les documents doivent être lus, respectés, rester accessibles à tout moment et conservés dans un endroit sec.

Ce document ne remplace pas et n'a pas pour objet de remplacer les législations, prescriptions ou normes régionales, territoriales, provinciales, nationales ou fédérales ainsi que les dispositions et les normes s'appliquant à l'installation, à la sécurité électrique et à l'utilisation du produit. SMA Solar Technology AG décline toute responsabilité pour la conformité ou non-conformité à ces législations ou dispositions en relation avec l'installation du produit.

La plaque signalétique doit être apposée en permanence sur le produit.

2.2 Consignes de sécurité importantes

Conservez les instructions.

Ce chapitre contient les consignes de sécurité qui doivent être respectées lors de tous les travaux effectués.

Le produit a été conçu et testé conformément aux exigences de sécurité internationale. En dépit d'un assemblage réalisé avec le plus grand soin, comme pour tout appareil électrique/électronique, il existe des risques résiduels. Lisez ce chapitre attentivement et respectez en permanence toutes les consignes de sécurité pour éviter tout dommage corporel et matériel, et garantir un fonctionnement durable du produit.

DANGER

Danger de mort par choc électrique en cas de contact avec des câbles DC conducteurs

Les câbles DC raccordés à la batterie peuvent être sous tension. Le contact avec des câbles DC conducteurs de tension entraîne des blessures graves, voire la mort par choc électrique.

- Mettez le produit et l'onduleur hors tension et protégez-les de toute remise sous tension avant toute intervention.
- Ne touchez pas aux composants conducteurs ou aux câbles dénudés.
- Ne déconnectez pas les connecteurs DC lorsqu'ils sont en charge.
- Portez toujours un équipement de protection individuelle adapté lors de toute intervention sur le produit.

⚠ DANGER**Danger de mort par choc électrique au contact de parties du boîtier sous tension en présence d'un conducteur de protection endommagé**

Si le conducteur de protection de la borne DC est endommagé ou mal raccordé, le boîtier du produit peut être soumis à de hautes tensions. Le contact avec des parties conductrices du boîtier peut entraîner la mort ou des blessures mortelles due à un choc électrique.

- Raccordez un conducteur de protection pour la borne DC, conformément aux descriptions du présent document.

⚠ DANGER**Danger de mort par incendie ou explosion à cause d'un maniement inapproprié des modules de batterie**

Un maniement inapproprié des modules de batteries peut provoquer un incendie du lithium situé à l'intérieur des modules de batterie. Cela peut provoquer un incendie ou une explosion. Il peut en résulter la mort ou des blessures pouvant engager le pronostic vital par projection d'objets ou présence d'objets brûlants.

- N'utilisez jamais de modules de batterie défectueux ou endommagés.
- Il est interdit d'ouvrir, de percer ou laisser tomber les modules de batterie.
- Ne montez pas et n'utilisez pas les modules de batterie dans des zones présentant un danger d'explosion ou une forte humidité de l'air.
- Ne soumettez jamais les modules de batterie à des températures élevées.
- Ne jetez jamais les modules de batterie au feu.
- Stockez les modules de batterie au sec et à des températures comprises dans la plage de température prédéfinie.
- Si un incendie se déclare au niveau des batteries, utilisez un extincteur au CO₂.
- En cas d'incendie aux environs de la batterie, utilisez un extincteur ABC.

⚠ DANGER**Danger de mort par choc électrique au contact de parties de l'installation sous tension en cas de défaut à la terre**

En cas de défaut à la terre, des parties de l'installation peuvent être sous tension. Le contact avec des composants conducteurs ou des câbles peut entraîner la mort ou des blessures mortelles due à un choc électrique.

- Mettez le produit et l'onduleur hors tension et protégez-les de toute remise sous tension avant toute intervention.
- Ne touchez pas les éléments de la sous-construction.

⚠ DANGER**Danger de mort par choc électrique en cas de contact avec des composants conducteurs lorsque le produit est ouvert**

Les composants conducteurs et les câbles à l'intérieur du produit sont soumis à de hautes tensions en fonctionnement. Le contact avec des composants conducteurs ou des câbles peut entraîner la mort ou des blessures mortelles due à un choc électrique.

- N'ouvrez pas le produit.

⚠ AVERTISSEMENT**Danger de mort par choc électrique lors de la destruction d'un appareil de mesure due à une surtension**

Une surtension peut endommager un appareil de mesure et créer une tension au niveau du boîtier de l'appareil de mesure. Le contact avec le boîtier sous tension de l'appareil de mesure entraîne des blessures graves, voire la mort par choc électrique.

- Utilisez exclusivement des appareils de mesure avec une plage de tension d'entrée DC d'au moins 1500 V ou supérieure.

⚠ AVERTISSEMENT**Danger de mort par brûlures causées par l'arc électrique à cause de courants de court-circuit**

Les courants de court-circuit de la batterie peuvent provoquer des dégagements de chaleur et des arcs électriques. Les dégagements de chaleur et arcs électriques peuvent entraîner des blessures mortelles par brûlure.

- Avant toute intervention sur la batterie, celle-ci doit être mise hors tension.
- Avant toute intervention sur la batterie, retirez vos montres, bagues et autres objets métalliques.
- Pour toute intervention sur la batterie, utilisez un outillage isolé et portez des gants isolés.
- Ne posez pas d'outils ni de pièces métalliques sur la batterie.

⚠ AVERTISSEMENT**Danger de mort par incendie ou explosion en cas de décharge profonde des batteries**

En cas de chargement défectueux de batteries présentant une décharge profonde, un incendie peut survenir. Il peut en résulter des blessures graves, voire la mort.

- Mettez la batterie en service au plus tard 6 mois après l'avoir reçue.
- S'il est impossible de mettre la batterie en service dans les 6 mois, demandez au service technique de procéder à une nouvelle cyclisation du système de stockage à batterie.
- Avant la mise en service du système, s'assurer que la batterie n'est pas profondément déchargée.
- Ne pas mettre le système en service si la batterie est profondément déchargée.
- Si la batterie est profondément déchargée, contacter le service technique.

⚠ AVERTISSEMENT**Risque de blessures dû à des substances, gaz et poussières toxiques**

Dans de rares cas, des dommages de pièces électroniques peuvent générer des substances, gaz et poussières toxiques dans le produit. Le contact avec des substances toxiques ainsi que l'inhalation de gaz et de poussières toxiques peuvent causer des irritations cutanées, des brûlures, des problèmes respiratoires et la nausée.

- Protégez le boîtier de la batterie contre les détériorations.
- N'ouvrez pas la batterie et ne la déformez pas.
- Ne jetez pas les batteries au feu. Les batteries peuvent exploser au contact du feu.
- Lors de l'exécution de travaux sur la batterie (recherche d'erreurs, réparations, par ex.), portez toujours un équipement de protection individuelle conçu pour manipuler des matières dangereuses (gants de protection, protection des yeux et du visage et masque respiratoire).
- En cas de projection d'acide, rincez longuement et soigneusement à l'eau claire et consultez un médecin.
- Si des vapeurs d'acide ont été inhalées, consultez immédiatement un médecin.
- Assurez-vous que les personnes non autorisées ne peuvent pas accéder au produit.
- Procédez à l'installation, l'exploitation, la maintenance et l'élimination de la batterie en respectant les consignes du fabricant.

AVERTISSEMENT

Risque de blessure dû au poids des modules de batterie

Il existe un risque de blessure en cas de soulèvement incorrect et de chute des modules de produit lors du transport et du montage.

- Transportez et soulevez les modules de batterie avec précaution. Tenez compte ce faisant du poids de chacun des composants.
- Transportez les modules de batterie un par un.
- Portez un équipement de protection individuelle adapté pour tous les travaux sur la batterie, consistant au moins de chaussures de sécurité à semelles anti-perforation et coque d'acier.

ATTENTION

Risque de brûlure dû à des modules de batterie brûlants

Au cours du fonctionnement, le module de batterie peut devenir brûlant. Tout contact avec des modules de batterie chauds peut provoquer des brûlures.

- Attendez que les modules de batterie soient refroidis pour les toucher.

PRUDENCE

Endommagement des modules de batterie par l'humidité ou des substances corrosives

La pénétration d'humidité ou de substances corrosives peut endommager le produit et en altérer le fonctionnement.

- Ne plongez pas les modules de batterie dans un liquide.
- N'exposez jamais les cellules de batterie à des substance corrosives (par ex. l'ammoniaque ou le sel).

PRUDENCE

Endommagement du produit par des produits nettoyants

Dû à l'utilisation de produits nettoyants, le produit et des parties de celui-ci peuvent être endommagés.

- Nettoyez la batterie et toutes les parties de la batterie uniquement avec un chiffon sec.

3 Symboles sur le produit

Symbole



Explication



Avertissement concernant une zone de danger

Ce symbole indique que le produit doit être mis à la terre de façon supplémentaire si une mise à la terre supplémentaire ou une liaison équipotentielle est nécessaire sur place.

Symbole	Explication
	Avertissement de tension électrique dangereuse Le produit fonctionne avec des tensions élevées.
	Avertissement contre les dangers liés aux batteries Ce symbole indique les dangers dus à la manipulation des batteries.
	Avertissement, présence de substances explosibles Un maniement incorrect ou un incendie peut provoquer une inflammation ou une explosion du produit.
	Avertissement, présence de substances corrosives Le produit contient des substances corrosives susceptibles de provoquer de graves blessures si elles entrent en contact direct avec la peau.
	Respect de la documentation Tenez compte de tous les documents fournis avec le produit.
	Utilisation d'une protection oculaire Portez une protection oculaire pour tous les travaux à effectuer sur l'appareil.
	Aucune flamme nue Il est interdit de manier des flammes nues ou des sources d'allumage à proximité immédiate du produit.
	Accès interdit aux enfants Les enfants ne doivent pas manipuler le produit et doivent être tenus éloignés de ce dernier.
	Mise à la terre Ce symbole signale l'emplacement du raccordement des conducteurs de protection supplémentaires.
	Marquage DEEE N'éliminez pas le produit avec les ordures ménagères ordinaires, mais conformément aux prescriptions d'élimination en vigueur pour les déchets d'équipements électriques et électroniques en vigueur sur le lieu d'installation.
	Le produit est approprié au montage en extérieur.

Symbole	Explication
IP65	Indice de protection IP65 Le produit est protégé contre la pénétration de poussière et d'eau projetée en jet de toutes les directions sur le boîtier.
CE	Marquage CE Le produit est conforme aux exigences des directives européennes applicables.
UK CA	Marquage UKCA Le produit répond aux règlements des lois en vigueur en Angleterre, au Pays de Galles et en Écosse.
	Marquage RoHS Le produit est conforme aux exigences des directives européennes applicables.
	RCM (Regulatory Compliance Mark) Le produit est conforme aux exigences des directives australiennes.

4 Transport de la batterie

ATTENTION

Risque de blessures dû à un transport inapproprié

La batterie peut glisser ou basculer en cas de transport inapproprié ou de sécurisation insuffisante lors du transport. Le glissement ou le basculement de la batterie pendant le transport peut provoquer des blessures.

- Transportez et soulevez la batterie. Prenez en compte le poids de la batterie.
- Positionnez la batterie à la verticale dans le véhicule et empêchez-la de glisser.
- Empêchez la batterie de glisser et de basculer avec des sangles.
- Portez toujours un équipement de protection individuelle adapté pour tous les travaux exécutés sur la batterie.

Respectez impérativement toutes les exigences du décret concernant le transport des produits dangereux sur route, sur rail et sur voies fluviales (Gefahrstoffverordnung Straße, Eisenbahn und Binnenschifffahrt (GGVSEB)), ainsi que celles de l'accord européen relatif au transport international des marchandises dangereuses par route (ADR) :

- Chargez uniquement des personnes dûment formées et instruites de transporter les modules de batterie sur route. Documentez les formations et répétez-les.
- Il est interdit de fumer dans le véhicules pendant le trajet.
- Il est interdit de fumer lors du chargement et du déchargement du véhicule, que soit dans le véhicule ou à proximité de celui-ci.
- Le véhicule doit impérativement être équipé de 2 extincteurs pour feux de métaux de classe D (capacité minimum 2 kg) et d'1 équipement pour matières dangereuses conforme à l'ADR.
- Il est interdit d'ouvrir l'emballage extérieur du module de batterie au cours du transport.

5 Déclaration de conformité UE

selon les directives UE

- Compatibilité électromagnétique 2014/30/UE (29/03/2014 L 96/79-106) (CEM)
- Directive basse tension 2014/35/UE (29/03/2014 L 96/357-374) (DBT)
- Limitation de l'utilisation de certaines substances dangereuses 2011/65/UE (08/06/2011 L 174/88) et 2015/863/EU (31/03/2015 L 137/10) (RoHS)



Par la présente, SMA Solar Technology AG déclare que les produits décrits dans ce document sont conformes aux exigences essentielles et aux autres dispositions pertinentes des directives citées ci-dessus. Pour obtenir des informations complémentaires sur la disponibilité de la déclaration de conformité complète, consulter <https://www.sma.de/en/ce-ukca>.

6 Déclaration de conformité UK

selon les règlements en vigueur en Angleterre, au pays de Galles et en Écosse

- Electromagnetic Compatibility Regulations 2016 (SI 2016/1091)
- Electrical Equipment (Safety) Regulations 2016 (SI 2016/1101)
- The Restriction of the Use of Certain Hazardous Substances in Electrical and Electronic Equipment Regulations 2012 (SI 2012/3032)



Par la présente, SMA Solar Technology AG déclare que les produits décrits dans ce document sont conformes aux exigences essentielles et aux autres dispositions pertinentes des directives citées ci-dessus. Pour obtenir des informations complémentaires sur la disponibilité de la déclaration de conformité complète, consulter <https://www.sma.de/en/ce-ukca>.

SMA Solar UK Ltd.

Countrywide House
23 West Bar, Banbury
Oxfordshire, OX16 9SA
United Kingdom

Disposizioni legali

Le informazioni contenute nella presente documentazione sono proprietà di SMA Solar Technology AG. Nessuna parte del presente documento può essere riprodotta, salvata in un sistema di recupero dati o trasmessa con altra modalità (elettronicamente, meccanicamente mediante copiatura o registrazione) senza previa autorizzazione scritta di SMA Solar Technology AG. La riproduzione per scopi interni all'azienda, destinata alla valutazione del prodotto o al suo corretto utilizzo, è consentita e non è soggetta ad approvazione.

SMA Solar Technology AG non fornisce alcuna assicurazione o garanzia, esplicita o sottintesa, in relazione a qualsiasi documentazione o software e accessori in essa descritti. In tal senso si intende tra l'altro la garanzia implicita del potenziale commerciale e l'idoneità per uno scopo specifico. Ci si oppone espressamente a qualsiasi assicurazione o garanzia. SMA Solar Technology AG e i suoi rivenditori non sono in alcun modo responsabili per eventuali perdite conseguenti o danni diretti o indiretti.

La suddetta esclusione di garanzie di legge implicite non si applica in altri casi.

Con riserva di modifiche delle specifiche. È stato fatto il possibile per redigere questo documento con la massima cura e per mantenerlo sempre aggiornato. Si comunica tuttavia espressamente ai lettori che SMA Solar Technology AG si riserva il diritto, senza preavviso e/o in conformità alle corrispondenti disposizioni del contratto di fornitura in essere, di apportare modifiche alle specifiche ritenute necessarie nell'ottica del miglioramento dei prodotti e delle esperienze dell'utente. SMA Solar Technology AG declina qualsiasi responsabilità per eventuali perdite conseguenti o danni indiretti e accidentale derivanti dal credito dato al presente materiale, inclusi l'omissione di informazioni, refusi, errori di calcolo o errori nella struttura del presente documento.

Garanzia di SMA

È possibile scaricare le condizioni di garanzia aggiornate dal sito Internet www.SMA-Solar.com.

Marchi

Tutti i marchi sono riconosciuti anche qualora non distintamente contrassegnati. L'assenza di contrassegno non significa che un prodotto o un marchio non siano registrati.

SMA Solar Technology AG

Sonnenallee 1

34266 Niestetal

Germania

Tel. +49 561 9522-0

Fax +49 561 9522-100

www.SMA-Italia.com

E-Mail: info@SMA.de

Aggiornamento: 16/06/2023

Copyright © 2023 SMA Solar Technology AG. Tutti i diritti sono riservati.

1 Note relative al presente documento

1.1 Ambito di validità

Il presente documento è valido per:

- HS-BM-3.28-10 (SMA Home Storage 3.2)

1.2 Destinatari

Le operazioni descritte nel presente documento devono essere eseguite esclusivamente da tecnici specializzati. Questi ultimi devono disporre delle seguenti qualifiche:

- Conoscenze in merito a funzionamento e gestione di un inverter
- Nozioni su funzionamento e uso delle batterie
- Corso di formazione su pericoli e rischi durante l'installazione, la riparazione e l'uso di dispositivi elettrici, batterie e impianti elettrici
- Addestramento all'installazione e alla messa in servizio di apparecchi e impianti elettrici
- Conoscenza di leggi, regolamenti, norme e direttive in materia
- Conoscenza e rispetto del presente documento, comprese tutte le avvertenze di sicurezza

1.3 Contenuto e struttura del documento

Il presente documento contiene informazioni rilevanti per la sicurezza nonché istruzioni grafiche per l'installazione e la messa in servizio (vedere pagina 79). Attenersi a tutte le informazioni ed eseguire le operazioni rappresentate graficamente nella sequenza indicata.

L'attuale versione del presente documento, così come le istruzioni dettagliate per l'installazione, la messa in servizio, la configurazione e la messa fuori servizio sono disponibili in formato PDF sul sito www.SMA-Solar.com.

Le figure nel presente documento sono limitate ai dettagli essenziali e possono non corrispondere al prodotto reale.

1.4 Livelli delle avvertenze di sicurezza

I seguenti livelli delle avvertenze di sicurezza possono presentarsi durante l'utilizzo del prodotto.

PERICOLO

Identifica un'avvertenza di sicurezza la cui inosservanza provoca immediatamente la morte o lesioni gravi.

AVVERTENZA

Identifica un'avvertenza di sicurezza la cui inosservanza può provocare la morte o lesioni gravi.



ATTENZIONE

Identifica un'avvertenza di sicurezza la cui inosservanza può provocare lesioni leggere o medie.

AVVISO

Identifica un'avvertenza di sicurezza la cui inosservanza può provocare danni materiali.

1.5 Simboli nel documento

Simbolo	Spiegazione
	Informazioni importanti per un determinato obiettivo o argomento, non rilevanti tuttavia dal punto di vista della sicurezza
	Capitolo che raffigura graficamente l'installazione e la messa in servizio

2 Sicurezza**2.1 Utilizzo conforme**

SMA Home Storage è un modulo batteria e può essere utilizzato nella SMA Home Storage Solution per applicazioni domestiche, ad es. per l'ottimizzazione dell'autoconsumo.

L'interfaccia di comunicazione dell'inverter utilizzato deve essere compatibile con il prodotto.

L'intero range di tensione deve rientrare completamente nel range di tensione d'ingresso consentito dell'inverter. La massima tensione d'ingresso CC del prodotto consentita non deve essere superata.

Non devono essere installate utenze aggiuntive o componenti nel circuito intermedio CC tra batteria e inverter.

Tutti i componenti devono sempre rispettare il range di valori consentiti e i requisiti di installazione.

Il prodotto può essere utilizzato esclusivamente come materiale di esercizio fisso in un determinato luogo.

Il prodotto non è adatto per l'alimentazione di apparecchiature mediche salvavita. Una eventuale interruzione di corrente non deve comportare alcun danno a persone.

Il prodotto può essere impiegato solo nei paesi per cui è omologato o autorizzato da SMA Solar Technology AG e dal gestore di rete.

Utilizzare i prodotti esclusivamente in conformità con le indicazioni fornite nella documentazione allegata nonché nel rispetto di leggi, disposizioni, direttive e norme vigenti a livello locale. Un uso diverso può provocare danni personali o materiali.

Gli interventi sul prodotto SMA, ad es. modifiche e aggiunte, sono consentiti solo previa esplicita autorizzazione scritta da parte di SMA Solar Technology AG. Eventuali interventi non autorizzati comportano l'estinzione dei diritti di garanzia e di regola come anche la revoca dell'autorizzazione di funzionamento. È esclusa ogni responsabilità di SMA Solar Technology AG per danni derivanti da tali interventi.

Non è consentito alcun utilizzo del prodotto diverso da quanto specificato nel capitolo "Utilizzo conforme".

La documentazione in allegato è parte integrante del prodotto. La documentazione deve essere letta, rispettata e conservata in un luogo asciutto in modo da essere sempre accessibile.

Il presente documento non sostituisce alcuna legge, direttiva o norma regionale, statale, provinciale o federale vigente per l'installazione, la sicurezza elettrica e l'utilizzo del prodotto. SMA Solar Technology AG declina qualsiasi responsabilità per il rispetto e/o il mancato rispetto di tali leggi o disposizioni legate all'installazione del prodotto.

La targhetta di identificazione deve essere applicata in maniera permanente sul prodotto.

2.2 Avvertenze di sicurezza importanti

Conservazione delle istruzioni

Il presente capitolo riporta le avvertenze di sicurezza che devono essere rispettate per qualsiasi operazione.

Il prodotto è stato progettato e testato conformemente ai requisiti di sicurezza internazionali. Pur essendo progettati accuratamente, tutti gli apparecchi elettrici o elettronici presentano rischi residui. Per evitare danni a cose e persone e garantire il funzionamento duraturo del prodotto, leggere attentamente il presente capitolo e seguire in ogni momento tutte le avvertenze di sicurezza.

PERICOLO

Pericolo di morte per folgorazione in caso di contatto con cavi CC sotto tensione

I cavi CC collegati alla batteria possono essere sotto tensione. Il contatto con cavi CC sotto tensione causa lesioni gravi o mortali per folgorazione.

- Prima di qualsiasi intervento, togliere tensione al prodotto e all'inverter e assicurarlo contro la riattivazione.
- Non toccare alcun componente o cavo libero sotto tensione.
- Non disinserire i terminali CC sotto carico.
- Indossare dispositivi di protezione individuale idonei durante qualsiasi intervento sul prodotto.

PERICOLO

Pericolo di morte per folgorazione in caso di contatto con parti dell'involucro sotto tensione in presenza di conduttore di protezione danneggiato

Se il conduttore di protezione del collegamento CC è danneggiato o non è stato collegato correttamente, possono essere presenti alte tensioni sull'involucro del prodotto. Il contatto con elementi dell'involucro sotto tensione può determinare la morte o lesioni mortali per folgorazione.

- Collegare un conduttore di protezione per il collegamento CC come descritto in questo documento.

 **PERICOLO**
Pericolo di morte per incendio o esplosione a causa di un'errata movimentazione dei moduli batteria

In caso di errata movimentazione dei moduli batteria, il litio all'interno dei moduli batteria può incendiarsi. Ciò può provocare un incendio o un'esplosione. Pezzi bollenti o proiettati possono causare la morte o lesioni potenzialmente mortali.

- Non utilizzare mai moduli batteria difettosi o danneggiati.
- Non aprire, forare o lasciare cadere i moduli batteria.
- Non montare né mettere in funzione i moduli batteria in aree a rischio di esplosione o in luoghi con un'elevata umidità.
- Non esporre i moduli batteria a temperature elevate.
- Non gettare i moduli batteria tra le fiamme.
- Asciugare i moduli batteria e conservarli entro l'intervallo di temperatura previsto.
- Se la batteria dà origine a un incendio, utilizzare un estintore con CO₂.
- In caso di incendio in prossimità della batteria utilizzare un estintore ABC.

 **PERICOLO**
Pericolo di morte per folgorazione in caso di contatto con parti dell'impianto sotto tensione in presenza di una dispersione verso terra

Nella dispersione verso terra i componenti dell'impianto potrebbero essere sotto tensione. Il contatto con cavi sotto tensione o cavi può determinare la morte o lesioni mortali per folgorazione.

- Prima di qualsiasi intervento, togliere tensione al prodotto e all'inverter e assicurarlo contro la riattivazione.
- Non toccare le parti della sottostruttura.

 **PERICOLO**
Pericolo di morte per folgorazione in caso di contatto con componenti sotto tensione nel prodotto aperto

Durante il funzionamento sui componenti sotto tensione e cavi nell'interno del prodotto sono presenti tensioni elevate. Il contatto con cavi sotto tensione o cavi può determinare la morte o lesioni mortali per folgorazione.

- Non aprire il prodotto.

⚠ AVVERTENZA**Pericolo di morte per folgorazione in caso di danneggiamento irreparabile dell'apparecchio di misurazione dovuto a sovratensione**

Una sovratensione può danneggiare un apparecchio di misurazione e causare la presenza di tensione sull'involucro dell'apparecchio di misurazione. Il contatto con l'involucro sotto tensione dell'apparecchio di misurazione causa la morte o lesioni mortali per folgorazione.

- Impiegare soltanto apparecchi di misurazione con un range di tensione d'ingresso CC fino ad almeno 1500 V o superiore.

⚠ AVVERTENZA**Pericolo di morte per ustioni in caso di archi voltaici o correnti di cortocircuito**

Le correnti di cortocircuito della batteria possono generare calore e archi voltaici. Calore estremo e archi voltaici possono causare lesioni mortali a seguito di ustioni.

- Prima di qualsiasi intervento sulla batteria disinserire la tensione.
- Prima di qualsiasi intervento sulla batteria, togliere orologi, anelli e altri oggetti metallici.
- Per qualsiasi intervento sulla batteria utilizzare un utensile isolato e guanti isolati.
- Non appoggiare attrezzi o componenti metallici sulla batteria.

⚠ AVVERTENZA**Pericolo di morte per incendio o esplosione in caso di batterie completamente scariche**

Pericolo d'incendio in caso di caricamento errato di batterie completamente scariche. Rischio di morte o di gravi lesioni

- Mettere in funzione la batteria al più tardi entro 6 mesi dalla fornitura.
- Se la batteria non viene messa in funzione entro 6 mesi, è possibile richiedere una cicizzazione successiva del sistema a batteria presso il Servizio di assistenza tecnica SMA.
- Prima di mettere in servizio il sistema accertarsi che la batteria non sia completamente scarica.
- Non mettere in servizio il sistema se la batteria è completamente scarica.
- Se la batteria presenta una scarica profonda, contattare il Servizio di assistenza tecnica SMA.

AVVERTENZA

Pericolo di lesioni a causa di sostanze, polveri e gas tossici

In rari casi isolati il danneggiamento di componenti elettronici può causare la produzione di sostanze, polveri e gas tossici all'interno del prodotto. Il contatto con sostanze tossiche e l'inalazione di polveri e gas tossici può causare irritazioni, corrosioni cutanee disturbi respiratori e nausea.

- Proteggere l'involucro della batteria.
- Non aprire o deformare la batteria.
- Non gettare le batterie nel fuoco. Le batterie possono esplodere nel fuoco.
- Eseguire interventi sulla batteria (ad es. ricerca degli errori, riparazioni) solo utilizzando dispositivi di protezione individuale per l'utilizzo di sostanze pericolose (ad es. guanti protettivi, protezioni per occhi, viso e vie respiratorie).
- Sciacquare a lungo e abbondantemente gli spruzzi di acido con acqua pulita e consultare il medico.
- Se sono stati inspirati vapori acidi, consultare immediatamente un medico.
- Accertarsi che nessuna persona non autorizzata possa accedere al prodotto.
- Installare, mettere in funzione, sottoporre a manutenzione e smaltire la batteria in base alle istruzioni del produttore.

AVVERTENZA

Pericolo di lesioni a causa del peso dei moduli batteria

In caso di tecnica di sollevamento errata o di caduta dei moduli batteria durante il trasporto o il montaggio sussiste il pericolo di infortuni.

- Trasportare e sollevare con attenzione i moduli batteria. Tenere in considerazione il peso di ogni singolo componente.
- Trasportare i moduli batteria solo singolarmente.
- Per tutti gli interventi sulla batteria, indossare appositi dispositivi di protezione individuale, come minimo scarpe antinfortunistiche con suola antiperforazione e punta in acciaio.

ATTENZIONE

Pericolo di ustioni dovute a moduli batteria caldi

Durante il funzionamento il modulo batteria può surriscaldarsi. Il contatto con i moduli batteria incandescenti può causare ustioni.

- Prima di toccare il modulo batteria, attendere che i moduli batteria si siano raffreddati.

AVVISO**Danneggiamento dei moduli batteria a causa di umidità o sostanze corrosive**

L'infiltrazione di umidità o sostanze corrosive può danneggiare il prodotto e pregiudicarne il funzionamento.



- Non immergere i moduli batteria in un liquido.
- Non esporre le celle della batteria a sostanze corrosive (ad es. ammoniacca, sale).








AVVISO**Danneggiamento del prodotto dovuto a detersivi**

L'uso di detersivi può danneggiare il prodotto e parti del prodotto.

- Pulire la batteria e tutti i componenti della batteria esclusivamente con un panno asciutto.

3 Simboli sul prodotto

Simbolo	Spiegazione
	Avvertenza in presenza di punti di pericolo Questo simbolo segnala che il prodotto deve essere ulteriormente messo a terra se a livello locale è richiesta un'ulteriore messa a terra o un collegamento equipotenziale.
	Avvertenza per tensione elettrica Il funzionamento del prodotto comporta tensioni elevate.
	Avvertenza di pericoli dovuti alle batterie Il simbolo indica la pericolosità dell'utilizzo di batterie.
	Avviso di sostanze esplosive In caso di movimentazione errata o in caso di incendio, il prodotto può incendiarsi o esplodere.
	Avvertenza sulle sostanze corrosive Il prodotto contiene sostanze corrosive che, in caso di contatto diretto con la pelle, possono causare gravi lesioni.
	Rispettare la documentazione Rispettare tutta la documentazione fornita assieme al prodotto.
	Indossare occhiali protettivi Durante i lavori sull'apparecchio utilizzare occhiali protettivi.

Simbolo	Spiegazione
	Divieto di fiamme libere È vietato utilizzare fiamme libere o fonti di ignizione nelle immediate vicinanze del prodotto.
	Accesso vietato ai bambini Tenere i bambini lontani dal prodotto.
	Messa a terra Questo simbolo indica il punto per il collegamento di conduttori di protezione aggiuntivi.
	Marchio RAEE Non smaltire il prodotto con i comuni rifiuti domestici ma nel rispetto delle direttive sullo smaltimento dei componenti elettronici in vigore nel luogo di installazione.
	Il prodotto è idoneo al montaggio esterno.
IP65	Grado di protezione IP65 Il prodotto è protetto da infiltrazioni di polvere e acqua proiettata all'involucro come getto d'acqua da tutte le direzioni.
CE	Marchatura CE Il prodotto soddisfa i requisiti previsti dalle direttive UE in vigore.
UK CA	Marchatura UKCA Il prodotto è conforme ai regolamenti delle leggi vigenti in Inghilterra, Galles e Scozia.
	Marchatura RoHS Il prodotto soddisfa i requisiti previsti dalle direttive UE in vigore.
	RCM (Regulatory Compliance Mark) Il prodotto soddisfa i requisiti previsti dalle direttive australiane in materia.

4 Trasporto della batteria

⚠ ATTENZIONE

Pericolo di lesioni causate dal trasporto errato

Un trasporto errato o un fissaggio insufficiente durante trasporto può causare lo scivolamento o il ribaltamento della batteria. Lo scivolamento o il ribaltamento della batteria può causare lesioni.

- Trasportare e sollevare con attenzione la batteria. Tenere in considerazione il peso della batteria.
- Posizionare la batteria nel veicolo in posizione verticale impedendone lo scivolamento.
- Fissare la batteria con cinghie di fissaggio per impedirne lo scivolamento e il ribaltamento.
- Per tutti gli interventi sulla batteria indossare appositi dispositivi di protezione individuale.

Osservare sempre i requisiti della legge tedesca sul trasporto di merci pericolose su strada, per ferrovia e per vie navigabili interne (GGVSEB) e dell'accordo internazionale sul trasporto di merci pericolose su strada (ADR):

- I moduli batteria possono essere trasportati su strada esclusivamente da personale qualificato e formato. Le istruzioni devono essere documentate e ripetute regolarmente
- Durante la guida è vietato fumare sul veicolo.
- Durante il carico e lo scarico del veicolo non è consentito fumare sul veicolo e nelle immediate vicinanze dello stesso.
- Devono essere presenti a bordo 2 estintori in metallo verificati con classe di incendio D (capacità minima 2 kg) e 1 attrezzatura per merci pericolose secondo ADR.
- L'imballaggio esterno del modulo batteria non può essere aperto durante il trasporto.

5 Dichiarazione di conformità UE

Ai sensi delle direttive UE

- Compatibilità elettromagnetica 2014/30/UE (29.3.2014 L 96/79-106) (CEM)
- Bassa tensione 2014/35/UE (29.3.2014 L 96/357-374) (BT)
- Restrizione dell'uso di determinate sostanze pericolose (RoHS) 2011/65/UE (8.6.2011 L 174/88) e 2015/863/UE (31.3.2015 L 137/10) (RoHS)



SMA Solar Technology AG dichiara che i prodotti descritti all'interno del presente documento sono conformi ai requisiti fondamentali e alle altre disposizioni rilevanti delle direttive sopra citate.

Ulteriori informazioni su come reperire la dichiarazione di conformità completa sono disponibili all'indirizzo <https://www.sma.de/en/ce-ukca>.

6 Dichiarazione di conformità UK

in conformità ai regolamenti di Inghilterra, Galles e Scozia

- Electromagnetic Compatibility Regulations 2016 (SI 2016/1091)
- Electrical Equipment (Safety) Regulations 2016 (SI 2016/1101)
- The Restriction of the Use of Certain Hazardous Substances in Electrical and Electronic Equipment Regulations 2012 (SI 2012/3032)



SMA Solar Technology AG dichiara che i prodotti descritti all'interno del presente documento sono conformi ai requisiti fondamentali e alle altre disposizioni rilevanti dei regolamenti sopra citati.

Ulteriori informazioni su come reperire la dichiarazione di conformità completa sono disponibili all'indirizzo <https://www.sma.de/en/ce-ukca>.

SMA Solar UK Ltd.

Countrywide House
23 West Bar, Banbury
Oxfordshire, OX16 9SA
United Kingdom

Juridische bepalingen

De informatie in deze documenten is eigendom van SMA Solar Technology AG. Van dit document mag niets worden gemultipliseerd, in een datasysteem worden opgeslagen of op andere wijze (elektronisch, mechanisch middels fotokopie of opname) worden overgenomen zonder voorafgaande schriftelijke toestemming van SMA Solar Technology AG. Een bedrijfsinterne reproductie ten behoeve van de evaluatie of het correcte gebruik van het product is zonder toestemming toegestaan.

SMA Solar Technology AG geeft geen toezeggingen of garanties, niet expliciet noch stilzwijgend met betrekking tot elke documentatie of de daarin beschreven software en toebehoren. Hiertoe horen ondermeer (maar zonder inperking hiervan) impliciete garantie van de marktbaarheid en de geschiktheid voor een bepaald doel. Alle toezeggingen hierover of garanties worden hiermee uitdrukkelijk weerlegd. SMA Solar Technology AG en diens vakhandelaars zijn nooit aansprakelijk voor eventuele directe of indirecte toevallige navolgende verliezen of schades.

De bovengenoemde uitsluiting van impliciete garanties kan niet in alle gevallen worden toegepast. Wijzigingen van specificaties blijven voorbehouden. Dit document is met veel inspanning en uiterst zorgvuldig opgesteld om de meest actuele stand van zake te waarborgen. De lezer wordt echter nadrukkelijk gewezen op het feit, dat SMA Solar Technology AG het recht behoudt, zonder aankondiging vooraf respectievelijk volgens de desbetreffende bepalingen van het bestaande leveringscontract, wijzigingen van deze specificaties uit te voeren, die SMA met het oog op productverbeteringen en gebruikservaringen geschikt vindt. SMA Solar Technology AG is niet aansprakelijk voor eventuele indirecte, toevallige navolgende verliezen of schades die zijn ontstaan door uitsluitend te vertrouwen op het onderhavige materiaal, onder andere door weglating van informatie, typefouten, rekenfouten of fouten in de structuur van het voorliggende document.

SMA garantie

De actuele garantievoorwaarden kunt u downloaden op www.SMA-Solar.com.

Handelsmerken

Alle handelsmerken worden erkend, ook als deze niet afzonderlijk zijn aangeduid. Als de aanduiding ontbreekt, betekent dit niet dat een product of teken vrij is.

SMA Solar Technology AG

Sonnenallee 1

34266 Niestetal

Duitsland

Tel. +49 561 9522-0

Fax +49 561 9522-100

www.SMA.de

E-mail: info@SMA.de

Stand: 16-6-2023

Copyright © 2023 SMA Solar Technology AG. Alle rechten voorbehouden.

1 Toelichting bij dit document

1.1 Geldigheid

Dit document geldt voor:

- HS-BM-3.28-10 (SMA Home Storage 3.2)

1.2 Doelgroep

De in dit document beschreven werkzaamheden mogen uitsluitend door vakmensen worden uitgevoerd. De vakmensen moeten over de volgende kwalificaties beschikken:

- kennis over het functioneren en het bedienen van een omvormer
- Kennis over het functioneren en het gebruik van batterijen
- geschoold in de omgang met de gevaren en risico's bij het installeren, repareren en bedienen van elektrische apparaten, batterijen en installaties
- opgeleid voor de installatie en inbedrijfstelling van elektrische apparaten en installaties
- Kennis van de geldende wetgeving, verordeningen, normen en richtlijnen
- kennis over en naleving van dit document, inclusief alle veiligheidsaanwijzingen

1.3 Inhoud en structuur van het document

Dit document bevat veiligheidsrelevante informatie en een grafische handleiding voor installatie en inbedrijfstelling (zie pagina 79). Houd alle informatie aan en voer de grafisch weergegeven handelingen in de aangegeven volgorde uit.

De nieuwste versie van dit document evenals de uitgebreide handleiding voor installeren, inbedrijfstelling, configuratie en buitenbedrijfstelling vindt u in pdf-formaat op www.SMA-Solar.com. Afbeeldingen in dit document zijn teruggebracht tot wezenlijke details en kunnen afwijken van het echte product.

1.4 Niveaus veiligheidswaarschuwing

De volgende niveaus veiligheidswaarschuwingen kunnen bij het omgaan met het product optreden.

GEVAAR

Markeert een veiligheidsaanwijzing waarvan het niet in acht nemen direct tot de dood of tot zwaar lichamelijk letsel leidt.

WAARSCHUWING

Markeert een veiligheidsaanwijzing waarvan het niet in acht nemen tot de dood of ernstig lichamelijk letsel kan leiden.

VOORZICHTIG

Markeert een veiligheidsaanwijzing waarvan het niet in acht nemen tot licht of middelzwaar lichamelijk letsel kan leiden.

LET OP

Markeert een veiligheidsaanwijzing waarvan het niet in acht nemen tot materiële schade kan leiden.

1.5 Symbolen in het document

Symbol	Toelichting
	Informatie die voor een specifiek onderwerp of doel van belang is, maar niet relevant is voor de veiligheid
	Hoofdstuk waarin de installatie en inbedrijfstelling grafisch is weergegeven

2 Veiligheid

2.1 Reglementair gebruik

SMA Home Storage is een batterijmodule en kan worden gebruikt in de SMA Home Storage Solution voor thuisgebruik, bijv. optimalisatie van het eigen verbruik.

De communicatie-interface van de gebruikte omvormer moet compatibel met het product zijn. Het gehele spanningsbereik moet volledig binnen het toegestane ingangsspanningsbereik van de omvormer liggen. De maximaal toelaatbare DC-ingangsspanning van het product mag niet worden overschreden.

Er mogen geen extra verbruikers of componenten in het gelijkstroomtussencircuit tussen de batterij en de omvormer worden aangebracht.

Het toegestane operationele bereik en de installatievereisten van alle componenten moeten te allen tijde worden aangehouden.

Het product mag uitsluitend als vast gemonteerd bedrijfsmiddel worden toegepast.

Het product is niet geschikt voor de stroomvoorziening van vitale medische apparatuur. Een stroomuitval mag niet tot lichamelijk letsel leiden.

Het product mag alleen worden gebruikt in landen waarvoor het is toegelaten of waarvoor het door SMA Solar Technology AG en de netwerexploitant is vrijgegeven.

Gebruik SMA producten uitsluitend conform de aanwijzingen van de bijgevoegde documentatie en conform de plaatselijke wetgeving, bepalingen, voorschriften en normen. Andere toepassingen kunnen tot persoonlijk letsel of materiële schade leiden.

Wijzigingen van SMA producten, bijvoorbeeld veranderingen of montage van onderdelen, zijn alleen toegestaan met uitdrukkelijke schriftelijke toestemming van SMA Solar Technology AG. Als er niet goedgekeurde wijzigingen worden uitgevoerd, vervalt de garantie en in de meeste gevallen ook de typegoedkeuring. SMA Solar Technology AG is in geen geval aansprakelijk voor schade die door zulke wijzigingen is ontstaan.

Elke vorm van gebruik van het product, dat niet overeenkomt met het onder reglementair gebruik omschreven gebruik, wordt als niet-reglementair gebruik beschouwd.

De meegeleverde documentatie maakt deel uit van het product. De documentatie moet worden gelezen, in acht worden genomen en op een altijd toegankelijke plek droog worden bewaard.

Dit document vervangt niet regionale, nationale, provinciale of gemeentelijke wetgeving, voorschriften of normen, die voor de installatie en de elektrische veiligheid van het product gelden. SMA Solar Technology AG accepteert geen verantwoordelijkheid voor het aanhouden resp. niet aanhouden van deze wetgeving of bepalingen in relatie met de installatie van het product.

Het typeplaatje moet permanent op het product zijn aangebracht.

2.2 Belangrijke veiligheidsaanwijzingen

Handleiding bewaren.

Dit hoofdstuk bevat veiligheidsaanwijzingen die bij alle werkzaamheden altijd in acht genomen moeten worden.

Het product is volgens internationale veiligheidseisen ontworpen en getest. Ondanks een zorgvuldige constructie bestaan, net zoals bij alle elektrische of elektronische apparaten, restgevaaren. Lees dit hoofdstuk aandachtig door en neem altijd alle veiligheidsaanwijzingen in acht om lichamelijk letsel of materiële schade te voorkomen en een lange levensduur van het product te garanderen.

GEVAAR

Levensgevaar door elektrische schokken bij het aanraken van spanning geleidende DC-kabel

De DC-kabels die op een batterij zijn aangesloten kunnen onder spanning staan. Het aanraken van spanningvoerende DC-kabels leidt tot dodelijk of ernstig lichamelijk letsel als gevolg van een elektrische schok.

- Voor alle werkzaamheden product en omvormer spanningsvrij schakelen en tegen opnieuw inschakelen beveiligen.
- Raak geen vrijliggende spanningsvoerende onderdelen of kabels aan.
- De DC-connectoren niet onder belasting loskoppelen.
- Draag bij alle werkzaamheden aan het product geschikte persoonlijke beschermingsmiddelen.

GEVAAR

Levensgevaar door elektrische schok bij aanraken van behuizingsdelen welke onder spanning staan bij beschadigde aardleiding

Indien de aardleiding van de DC-aansluiting beschadigd is of niet correct werd aangesloten, kunnen hoge spanningen op de behuizing van het product aanwezig zijn. Het aanraken van onder spanning staande behuizingsonderdelen leidt tot de dood of tot levensgevaarlijk letsel als gevolg van een elektrische schok.

- Aardgeleider voor de DC-aansluiting aansluiten zoals beschreven in dit document.

⚠ GEVAAR**Levensgevaar door brand of explosie door ondeskundig gebruik van de batterijmodule**

Bij ondeskundig gebruik van de batterijmodule kan de lithium in het binnenste van de batterijmodule ontbranden. Daardoor kan er brand ontstaan of een explosie worden geactiveerd. Dodelijk of levensgevaarlijk letsel door hete of rondvliegende onderdelen kunnen het gevolg zijn.

- Gebruik nooit een defecte of een beschadigde batterijmodule.
- De batterijmodule niet openen, doorboren of laten vallen.
- De batterijmodule niet in explosiegevaarlijke gebieden of in gebieden met een hoge luchtvochtigheid monteren en gebruiken.
- Stel de batterijmodule niet bloot aan hoge temperaturen.
- Gooi de batterijmodule niet in het vuur.
- De batterijmodule drogen en binnen het aangegeven temperatuurbereik bewaren.
- Wanneer er brand ontstaat in de batterij, een CO₂-brandblusser gebruiken.
- Bij een brand in de omgeving van de batterij een ABC-blusser gebruiken.

⚠ GEVAAR**Levensgevaar door elektrische schok bij aanraken van installatiedelen welke onder spanning staan bij een aardlek**

Als zich een aardlek voordoet, kunnen onderdelen van de installatie onder spanning staan. Aanraking van spanningvoerende onderdelen en kabels leidt tot levensgevaarlijk of dodelijk letsel als gevolg van elektrische schok.

- Voor alle werkzaamheden product en omvormer spanningsvrij schakelen en tegen opnieuw inschakelen beveiligen.
- De onderdelen van de onderconstructie niet aanraken.

⚠ GEVAAR**Levensgevaar door elektrische schokken bij het aanraken van spanning geleidende onderdelen bij geopend product**

Tijdens bedrijf zijn op de spanning geleidende onderdelen en kabels in het product hoge spanningen actief. Het aanraken van spanningvoerende onderdelen en kabels leidt tot de dood of tot levensgevaarlijk letsel als gevolg van een elektrische schok.

- Open het product niet.

WAARSCHUWING

Levensgevaar door elektrische schokken bij beschadiging van het meettoestel bij overspanning.

Een overspanning kan een meettoestel beschadigen en elektrische spanning op de behuizing van het meettoestel veroorzaken. Het aanraken van een onder spanning staande behuizing van het meettoestel leidt tot de dood of tot levensgevaarlijk letsel als gevolg van een elektrische schok.

- Gebruik alleen meettoestellen met een DC-ingangsspanningsbereik tot minimaal 1500 V of hoger.

WAARSCHUWING

Levensgevaar door verbrandingen bij vlambogen vanwege kortsluitstromen.

Kortsluitstromen van de batterij kunnen grote hitte en vlambogen veroorzaken. Hitte-ontwikkeling en vlambogen kunnen levensgevaarlijk letsel door verbranding veroorzaken.

- Voor alle werkzaamheden aan de batterij de batterij spanningsvrij schakelen.
- Voor alle werkzaamheden aan de batterij horloges, ringen en andere metalen objecten afdoen.
- Bij alle werkzaamheden aan de batterij een geïsoleerd gereedschap en geïsoleerde handschoenen gebruiken.
- Leg geen gereedschap of metalen voorwerpen op de batterij.

WAARSCHUWING

Levensgevaar door vuur of explosie bij diepontladen batterijen

Bij verkeerd opladen van diepontladen batterijen kan brand ontstaan. Dit kan ernstig letsel of de dood tot gevolg hebben.

- De batterij uiterlijk 6 maanden na levering in gebruik nemen.
- Wanneer de batterij niet binnen 6 maanden in gebruik kan worden genomen, moet een nacyclus van het batterijgeheugen worden aangevraagd bij de technische service.
- Waarborg voor de inbedrijfstelling van het systeem, dat de batterij niet diepontladen is.
- Neem het systeem niet in gebruik, wanneer de batterij diepontladen is.
- Wanneer de batterij diepontladen is contact met de technische service opnemen.

WAARSCHUWING

Gevaar voor lichamelijk letsel door giftige substanties, gassen en stof

In uitzonderlijke situaties kunnen, door beschadigingen aan elektronische componenten, giftige substanties, gassen en stof in het inwendige van de product optreden. Het aanraken van giftige substanties en het inademen van giftige gassen en stoffen kan huidirritatie, bijwonden, ademhalingsmoeilijkheden en duizeligheid veroorzaken.

- Behuizing van de batterij beschermen tegen onherstelbare beschadiging.
- Batterij niet openen of vervormen.
- Batterij niet in het vuur gooien. Batterijen kunnen ontploffen in het vuur.
- Werkzaamheden aan de batterij (bijv. foutopsporing, reparatiewerkzaamheden) alleen met persoonlijke beschermingsmiddelen voor omgang met gevaarlijke stoffen (bijv. veiligheidshandschoenen, oog- en gelaatsbescherming en adembescherming) uitvoeren.
- Zuurspetters met helder water lang en grondig afspoelen en vervolgens een arts raadplegen.
- Wanneer zuurdampen zijn ingeademd, direct een arts raadplegen.
- Zorg ervoor dat onbevoegde personen geen toegang tot het product hebben.
- Houd tijdens de installatie, het gebruik, het onderhoud en bij de afvoer van de batterij de aanwijzingen van de fabrikant aan.

WAARSCHUWING

Letselgevaar door het gewicht van de batterijmodules

Door verkeerd tillen en door vallen van de batterijmodules bij transport of montage kan er letsel ontstaan

- Batterijmodules voorzichtig transporteren en tillen. Daarbij het gewicht van iedere afzonderlijke component in acht nemen.
- Batterijmodules alleen afzonderlijk transporteren.
- Bij alle werkzaamheden aan de batterij geschikte persoonlijke beschermingsmiddelen dragen, minimaal veiligheidsschoenen met veiligheidszool en stalen neus.

VOORZICHTIG

Verbrandingsgevaar door hete batterijmodule

De batterijmodule kan heet worden tijdens het bedrijf. Het aanraken van de hete batterijmodule kan tot verbrandingen leiden.

- Voor het aanraken van de batterijmodule wachten tot de batterijmodules zijn afgekoeld.

LET OP**Beschadiging van de batterijmodules door vocht of corrosieve substanties**

Door het binnendringen van vocht of corrosieve substanties kan het product beschadigd worden en kan de werking verslechteren.

- Batterijmodules niet in vloeistof dompelen.
- Batterijcellen niet blootstellen aan corrosieve substanties (bijv. ammoniak, zout).

LET OP**Beschadiging van het product door reinigingsmiddel**

Door het gebruik van reinigingsmiddelen kunnen het product en delen van het product beschadigd raken.

- De batterij en alle onderdelen van de batterij uitsluitend met een droge doek reinigen.

3 Symbolen op het product

Symbol	Toelichting
	<p>Waarschuwing voor een gevaarlijke plaats</p> <p>Dit symbool geeft aan dat het product extra moet worden geaard als ter plaatse een extra aarding of een potentiaalvereffening vereist is.</p>
	<p>Waarschuwing voor gevaarlijke elektrische spanning</p> <p>Het product werkt met hoge spanningen.</p>
	<p>Waarschuwing voor gevaren door batterijen</p> <p>Dit symbool wijst op het gevaar van de omgang met batterijen.</p>
	<p>Waarschuwing voor explosiegevaarlijke stoffen</p> <p>Bij ondeskundig gebruik of bij brand kan het product ontbranden of exploderen.</p>
	<p>Waarschuwing voor bijtende stoffen</p> <p>Het product bevat bijtende substanties, die bij rechtstreeks contact met de huid ernstig verwondingen kunnen veroorzaken.</p>
	<p>Documentatie in acht nemen</p> <p>Neem alle met het product meegeleverde documentatie in acht.</p>
	<p>Oogbescherming gebruiken</p> <p>Bij alle werkzaamheden aan het apparaat moet oogbescherming worden gedragen.</p>

Symbol	Toelichting
	Geen open vuur De omgang met open vuur en ontstekingsbronnen in de nabij omgeving van het product is verboden.
	Toegang voor kinderen verboden Kinderen moeten buiten bereik van het product worden gehouden.
	Aarding Dit symbool geeft de plaats aan voor aansluiting van extra aardleidingen.
	WEEE-markering Het product mag niet met het huisvuil worden meegegeven. Neem de op de installatielocatie geldende verwijderingsvoorschriften voor elektronisch afval in acht.
	Het product is geschikt voor buitenmontage.
IP65	Beschermingsgraad IP65 Het product is beschermd tegen binnendringen van stof en tegen water, dat vanuit elke richting als straal tegen de behuizing is gericht.
CE	CE-markering Het product voldoet aan de eisen van de toepasselijke EU-richtlijnen.
UK CA	UKCA-markering Het product voldoet aan de verordeningen van de betreffende wetten in Engeland, Wales en Schotland.
	RoHS-markering Het product voldoet aan de eisen van de toepasselijke EU-richtlijnen.
	RCM (Regulatory Compliance Mark) Het product voldoet aan de eisen van de toepasselijke Australische normen.

4 Transport van de batterij

VOORZICHTIG

Letselgevaar door ondeskundig transport

Door ondeskundig transport of gebrekkige transportbeveiliging kan de batterij wegglijden of kantelen. Het wegglijden of kantelen van de batterij kan letsel veroorzaken.

- Batterij voorzichtig transporteren en tillen. Daarbij het gewicht van de batterij in acht nemen.
- De batterij verticaal en beveiligd tegen wegglijden in het voertuig opstellen.
- De batterij met siorbanden beveiligen tegen wegglijden en kantelen.
- Bij alle werkzaamheden aan de batterij geschikte persoonlijke beschermingsmiddelen dragen.

Alle eisen ten aanzien van het voorschrift voor het transport van gevaarlijke stoffen over de weg, spoorweg en binnenvaart en de overeenkomst ten aanzien van het internationale transport van gevaarlijke goederen over de weg moet steeds in acht worden genomen:

- Alleen geschoold en getraind personeel mag de batterijmodule op openbare wegen transporteren. De instructies moeten worden gedocumenteerd en terugkerend worden uitgevoerd
- Tijdens de rit mag in het voertuig niet worden gerookt.
- Bij het be- en ontluchten van het voertuig mag in het voertuig zelf en in de nabije omgeving van het voertuig niet worden gerookt.
- Er moeten 2 gecontroleerde metaalbrandblussers brandklasse D worden meegenomen (minimale capaciteit 2 kg) en 1 gevarenuitrusting overeenkomstig ADR.
- De verpakking van de batterijmodule mag tijdens het transport niet worden geopend.

5 EG-conformiteitsverklaring

conform de EG-richtlijnen

- Elektromagnetische compatibiliteit 2014/30/EU (29-03-2014 L 96/79-106) (EMC)
- Laagspanning 2014/35/EU (29-03-2014 L 96/357-374) (LSR)
- Beperking van het gebruik van bepaalde gevaarlijke stoffen 2011/65/EU (08-06-2011 L 174/88) en 2015/863/EU (31-03-2015 L 137/10) (RoHS)



Hiermee verklaart SMA Solar Technology AG dat de in dit document beschreven producten in overeenstemming zijn met de wezenlijke vereisten en andere relevante bepalingen van de bovengenoemde richtlijnen. Meer informatie over waar u de volledige conformiteitsverklaring kunt vinden vindt u onder <https://www.sma.de/en/ce-ukca>.

6 VK-conformiteitsverklaring

in overeenstemming met de verordeningen van Engeland, Wales en Schotland

- Electromagnetic Compatibility Regulations 2016 (SI 2016/1091)
- Electrical Equipment (Safety) Regulations 2016 (SI 2016/1101)
- The Restriction of the Use of Certain Hazardous Substances in Electrical and Electronic Equipment Regulations 2012 (SI 2012/3032)



Hiermee verklaart SMA Solar Technology AG dat de in dit document beschreven producten in overeenstemming zijn met de wezenlijke vereisten en andere relevante bepalingen van de bovengenoemde verordeningen. Meer informatie over waar u de volledige conformiteitsverklaring kunt vinden vindt u onder <https://www.sma.de/en/ce-ukca>.

SMA Solar UK Ltd.

Countrywide House
23 West Bar, Banbury
Oxfordshire, OX16 9SA
United Kingdom

Disposições legais

As informações contidas nestes documentos são propriedade da SMA Solar Technology AG. Nenhuma parte deste documento pode ser reproduzida, armazenada num sistema de recuperação de dados ou transmitida de qualquer outra forma (eletrónica, mecânica por meio de fotocópia ou gravação) sem o consentimento prévio por escrito da SMA Solar Technology AG. Uma reprodução interna, destinada à avaliação do produto ou à sua correta utilização, é permitida e não requer autorização.

A SMA Solar Technology AG não concede qualquer garantia ou promessa, explícita ou implícitamente, sobre qualquer documentação ou sobre o software e os acessórios nela descritos. Nesta documentação está incluída, entre outros (mas sem se limitar a), a garantia implícita da viabilidade comercial e adequação a uma determinada finalidade. Todas as promessas e garantias pertinentes são expressamente revogadas pela presente. A SMA Solar Technology AG e os respetivos distribuidores especializados não assumem, sob qualquer circunstância, a responsabilidade por possíveis perdas consequentes ou danos aleatórios, diretos ou indiretos.

A exclusão supracitada das garantias implícitas não pode ser aplicada a todos os casos.

Reserva-se o direito a alterações às especificações. Foram envidados todos os esforços para redigir este documento com o máximo cuidado e mantê-lo atualizado. Os leitores são, contudo, expressamente informados sobre o facto de que a SMA Solar Technology AG se reserva o direito de, sem pré-aviso ou em conformidade com as disposições relevantes do contrato de fornecimento em vigor, efetuar alterações a estas especificações que considere adequadas com vista à melhoria dos produtos e da experiência do utilizador. A SMA Solar Technology AG não assume qualquer responsabilidade por possíveis perdas subsequentes ou danos indiretos ou aleatórios, que decorram com base na confiança do bom funcionamento do material disponível, entre outros, devido à omissão de informações, gralhas, erros de cálculo ou erros estruturais do presente documento.

Garantia SMA

As condições atuais da garantia podem ser descarregadas da internet em www.SMA-Solar.com.

Marcas comerciais

Todas as marcas comerciais são reconhecidas, mesmo que não estejam especificamente identificadas como tal. A ausência de identificação não significa que um produto ou uma marca sejam livres.

SMA Solar Technology AG

Sonnenallee 1

34266 Niestetal

Alemanha

Tel. +49 561 9522-0

Fax +49 561 9522-100

www.SMA.de

E-mail: info@SMA.de

Versão: 16/06/2023

Copyright © 2023 SMA Solar Technology AG. Todos os direitos reservados.

1 Observações relativas a este documento

1.1 Aplicabilidade

Este documento é válido para:

- HS-BM-3.28-10 (SMA Home Storage 3.2)

1.2 Grupo-alvo

As atividades descritas neste documento só podem ser executadas por técnicos especializados. Os técnicos especializados devem ter as seguintes qualificações:

- Conhecimento sobre o funcionamento e a operação de um inversor
- Conhecimento sobre o funcionamento e a operação de baterias
- Formação sobre perigos e riscos na instalação, reparação e operação de sistemas, baterias e aparelhos elétricos
- Formação sobre a instalação e colocação em serviço de aparelhos e sistemas elétricos
- Conhecimento das leis, normas, diretivas e regulamentos relevantes
- Conhecimento e cumprimento deste documento, incluindo todos os avisos de segurança

1.3 Conteúdo e estrutura do documento

Este documento contém informações relevantes para a segurança, bem como um manual gráfico relativo à instalação e colocação em serviço (ver página 79). Respeite todas as informações e execute as operações representadas na parte gráfica deste documento, seguindo a ordem indicada.

A actual versão deste documento, bem como o manual completo de instalação, colocação em serviço, configuração e colocação fora de serviço estão disponíveis no formato PDF em www.SMA-Solar.com.

As figuras que constam deste documento cingem-se aos pormenores essenciais e podem divergir do produto real.

1.4 Níveis de aviso

É possível a ocorrência dos seguintes níveis de aviso ao manusear o produto.

PERIGO

Assinala um aviso que, se não observado, será imediatamente fatal ou causará lesões graves.

ATENÇÃO

Assinala um aviso que, se não observado, poderá causar a morte ou lesões graves.



CUIDADO

Assinala um aviso que, se não observado, poderá causar lesões leves ou moderadas.

PRECAUÇÃO

Assinala um aviso que, se não observado, poderá causar danos materiais.

1.5 Símbolos no documento

Símbolo	Explicação
	Informação importante para um determinado tema ou objetivo, sem ser relevante para a segurança
	Capítulo que contém a representação gráfica da instalação e colocação em funcionamento

2 Segurança**2.1 Utilização prevista**

O SMA Home Storage é um módulo de bateria e pode ser usado na SMA Home Storage Solution para aplicações domésticas, p. ex., otimização do autoconsumo.

A interface de comunicação do inversor usado tem de ser compatível com o produto. A gama de tensão total tem de se situar totalmente dentro da gama de tensão de entrada admissível do inversor. A tensão de entrada CC máxima do produto não pode ser excedida.

Não podem ser instalados equipamentos consumidores ou componentes adicionais no circuito intermédio CC entre a bateria e o inversor.

As condições operacionais e os requisitos de instalação de todos os componentes têm de ser sempre respeitados.

O produto destina-se a ser utilizado exclusivamente como equipamento estacionário.

O produto não é adequado para a alimentação de aparelhos médicos de suporte de vida. Uma falha de corrente não pode originar quaisquer danos em pessoas.

O produto só pode ser utilizado em países para os quais esteja homologado ou para os quais tenha sido aprovado pela SMA Solar Technology AG e pelo operador da rede.

Utilizar os produtos SMA exclusivamente de acordo com as indicações da documentação em anexo e os regulamentos e as leis, disposições e normas em vigor no local de instalação. Qualquer outra utilização pode resultar em danos físicos ou materiais.

Intervenções nos produtos SMA, p. ex., modificações e conversões, só são permitidas se tal for expressamente autorizado, por escrito, pela SMA Solar Technology AG. Intervenções não autorizadas têm como consequência a cessação dos direitos relativos à garantia, bem como, em regra, a anulação da licença de operação. A SMA Solar Technology AG não assume qualquer responsabilidade por danos resultantes de tais intervenções.

Qualquer outra utilização do produto, que não se encontre descrita como utilização prevista, é considerada desadequada e indevida.

Os documentos fornecidos são parte integrante do produto. Os documentos têm de ser lidos, respeitados e guardados sempre em local acessível e seco.

Este documento não substitui quaisquer leis, disposições ou normas regionais, estatais, territoriais, federais ou nacionais em vigor para a instalação e a segurança elétrica e para a aplicação do produto. A SMA Solar Technology AG não assume qualquer responsabilidade pelo cumprimento ou incumprimento destas leis e disposições no âmbito da instalação do produto.

A placa de identificação tem de estar sempre afixada no produto.

2.2 Avisos de segurança importantes

Guardar o manual.

Este capítulo contém avisos de segurança que têm de ser sempre respeitados durante todos os trabalhos.

O produto foi desenvolvido e testado de acordo com os requisitos internacionais de segurança. Apesar de uma construção cuidadosa, existem riscos residuais, tal como em todos os aparelhos elétricos ou eletrónicos. Para evitar danos pessoais e materiais e para garantir um funcionamento duradouro do produto, leia este capítulo com atenção e siga sempre todos os avisos de segurança.

PERIGO

Perigo de morte devido a choque elétrico por contacto com cabos CC condutores de tensão

Os cabos CC ligados a uma bateria podem estar sob tensão. O contacto com cabos condutores de tensão CC é causa de morte ou ferimentos graves devido a choque elétrico.

- Seccionar completamente o produto e o inversor (colocando-os sem tensão) e proteger contra religação antes de iniciar quaisquer trabalhos.
- Não tocar em peças ou cabos condutores de tensão expostos.
- Não separar os conectores de ficha CC sob carga.
- Ao executar quaisquer trabalhos no produto, usar sempre equipamento de proteção pessoal adequado.

PERIGO

Perigo de morte devido a choque elétrico em caso de contacto com peças da caixa sob tensão, com o condutor de proteção danificado

No caso de o condutor PE da ligação CC estar danificado ou não estiver corretamente ligado, poderão verificar-se tensões elevadas junto à caixa do produto. O contacto com peças da caixa condutoras de tensão é causa de morte ou ferimentos graves devido a choque elétrico.

- Ligar o condutor de ligação à terra para a ligação CC tal como descrito neste documento.

! PERIGO**Perigo de morte devido a fogo ou explosão provocado(a) pelo manuseamento incorreto dos módulos de bateria**

Em caso de manuseamento incorreto dos módulos de bateria, o lítio presente no interior dos módulos de bateria pode incendiar. Consequentemente, pode ser desencadeado um incêndio ou uma explosão. Isto pode resultar em morte ou ferimentos mortais causados por peças quentes ou projeção de fragmentos.

- Nunca utilizar módulos de bateria com defeito ou danificados.
- Não abrir, perfurar ou deixar cair os módulos de bateria.
- Não montar nem operar os módulos de bateria em áreas onde exista perigo de explosão ou em áreas com elevada humidade do ar.
- Não expor os módulos de bateria a temperaturas elevadas.
- Não atirar os módulos de bateria para o fogo.
- Armazenar os módulos de bateria secos e dentro da gama de temperatura indicada.
- Se a bateria incendiar, utilizar um extintor de CO₂.
- Em caso de incêndio na proximidade da bateria, utilizar um extintor ABC.

! PERIGO**Perigo de morte devido a choque elétrico causado pelo caso de contacto com peças do sistema sob tensão em caso de defeito à terra**

No caso de defeito à terra, as peças do sistema podem encontrar-se sob tensão. O contacto com peças ou cabos condutores de tensão é causa de morte ou ferimentos graves devido a choque elétrico.

- Seccionar completamente o produto e o inversor (colocando-os sem tensão) e proteger contra religação antes de iniciar quaisquer trabalhos.
- Não tocar nas peças da estrutura inferior.

! PERIGO**Perigo de morte devido a choque elétrico por contacto com peças condutoras de tensão com o produto aberto**

Durante a operação, as peças e os cabos condutores de tensão que se encontram no interior do produto possuem tensões elevadas. O contacto com peças e cabos condutores de tensão é causa de morte ou ferimentos graves devido a choque elétrico.

- Não abrir o produto.

⚠ ATENÇÃO**Perigo de vida devido a choque elétrico em caso de destruição de um aparelho de medição devido a sobretensão**

Uma sobretensão pode danificar um aparelho de medição e originar tensão na caixa do aparelho de medição. O contacto com a caixa do aparelho de medição sob tensão é causa de morte ou ferimentos graves devido a choque elétrico.

- Utilizar apenas aparelhos de medição com um intervalo de tensão de entrada CC de até, no mínimo, 1500 V ou superior.

⚠ ATENÇÃO**Perigo de vida na sequência de queimaduras causadas por arco elétrico devido a correntes de curto-circuito**

Correntes de curto-circuito da bateria podem gerar calor e originar arcos elétricos. O calor e o arco elétrico podem provocar lesões fatais na sequência de queimaduras.

- Antes de quaisquer trabalhos na bateria, colocar a bateria sem tensão.
- Antes de efectuar qualquer trabalho na bateria, retirar relógios, anéis e outros objectos metálicos.
- Ao executar qualquer trabalho na bateria, utilizar ferramentas e luvas isoladas.
- Não pousar quaisquer ferramentas ou peças metálicas sobre a bateria.

⚠ ATENÇÃO**Perigo de morte devido a fogo ou explosão com baterias em descarga profunda**

O carregamento incorreto de baterias em descarga profunda pode causar um incêndio. Isto pode resultar em morte ou lesões graves.

- Colocar a bateria em funcionamento, o mais tardar, 6 meses após a entrega.
- Se a bateria não puder ser colocada em funcionamento no prazo de 6 meses, solicitar uma nova ciclagem do armazenamento de bateria ao serviço de assistência.
- Antes de colocar o sistema em funcionamento, garantir que a bateria não está em descarga profunda.
- Não operar o sistema se a bateria estiver em descarga profunda.
- No caso de descarga profunda da bateria, contactar o serviço de assistência.

ATENÇÃO

Perigo de lesões causados por substâncias, poeiras e gases tóxicos

Em raros casos isolados, poderão surgir substâncias, gases e poeiras tóxicas no interior do produto, devido aos danos nos componentes eletrónicos. O contacto com substâncias tóxicas, bem como a inalação de poeiras e gases tóxicos podem provocar irritações na pele, queimaduras, dificuldades respiratórias e náuseas.

- Proteger a caixa da bateria contra danos irreversíveis.
- Não abrir nem deformar a bateria.
- Não lançar a bateria ao fogo. As baterias podem explodir no fogo.
- Realizar os trabalhos na bateria (p. ex., localização de erros, trabalhos de reparação) apenas com equipamento de proteção pessoal para o manuseamento com substâncias perigosas (p. ex., luvas de proteção, proteção ocular e facial e proteção respiratória).
- Enxaguar os salpicos ácidos com água limpa abundante e prolongadamente e, em seguida, consultar um médico.
- Em caso de inalação de vapores ácidos, consultar um médico de imediato.
- Garantir que pessoas não autorizadas não podem aceder ao produto.
- Instalar, operar, manter e eliminar a bateria de acordo com as especificações do fabricante.

ATENÇÃO

Perigo de ferimentos devido ao peso do módulos de bateria

Possibilidade de ferimentos devido a uma elevação incorreta e à queda do módulo de bateria durante o transporte ou a montagem

- Transportar e elevar o módulo de bateria com cuidado. Nesse processo, observar o peso de cada um dos componentes individuais.
- Transportar o módulo de bateria apenas individualmente.
- Ao executar qualquer trabalho na bateria, usar sempre equipamento de proteção pessoal adequado; pelo menos, calçado de segurança com sola resistente e biqueira de aço.

CUIDADO

Perigo de queimaduras devido a módulos de bateria quentes

O módulo de bateria pode aquecer durante o funcionamento. Tocar nos módulos de bateria quentes pode provocar queimaduras.

- Antes de tocar no módulo de bateria, aguardar até este ter arrefecido.

PRECAUÇÃO**Danos do módulo de bateria devido a humidade ou substâncias corrosivas**

A penetração de humidade ou de substâncias corrosivas pode danificar o produto e comprometer o funcionamento.







- Não mergulhar o módulo de bateria em líquidos.
- Não expor as células de bateria a quaisquer substâncias corrosivas (por ex., amoníaco, sal).

PRECAUÇÃO**Danos no produto causados por produtos de limpeza**

O produto e as peças do produto podem ser danificados devido à utilização de produtos de limpeza.

- Limpar a bateria e todas as peças da bateria exclusivamente com um pano seco.

3 Símbolos no produto

Símbolo	Explicação
	Aviso de um ponto de perigo Este símbolo indica que o produto tem de ser ligado adicionalmente à terra se no local for exigida uma ligação adicional à terra ou uma ligação equipotencial.
	Aviso de uma tensão elétrica O produto funciona com tensões elevadas.
	Aviso de perigos causados por baterias Este símbolo avisa para os perigos inerentes ao manuseamento de baterias.
	Atenção a substâncias explosivas Em caso de manuseamento incorreto ou de incêndio, o produto pode incendiar ou explodir.
	Atenção a substâncias corrosivas O produto contém substâncias corrosivas que, em caso de contacto direto com a pele, podem provocar ferimentos graves.
	Respeitar a documentação Respeite toda a documentação fornecida com o produto.

Símbolo	Explicação
	Utilizar proteção ocular Ao executar qualquer trabalho no aparelho, deve ser utilizada proteção ocular.
	Nenhumas chamas abertas É proibido o manuseamento de chamas abertas e de fontes de ignição na proximidade imediata do produto.
	Acesso interdito a crianças Manter as crianças afastadas do produto.
	Ligação à terra Este símbolo identifica o local para a ligação de um condutor de proteção adicional.
	Marcação REEE Não eliminar o produto com o lixo doméstico, mas de acordo com as normas de eliminação de sucata eletrónica em vigor no local de instalação.
	O produto é adequado à montagem no exterior.
IP65	Grau de protecção IP65 O produto está protegido contra a entrada de pó e da água que é administrada contra a caixa em forma de jatos provenientes de todas as direções.
CE	Marcação CE O produto está em conformidade com os requisitos das diretivas UE aplicáveis.
UK CA	Marcação UKCA O produto cumpre as disposições das leis aplicáveis da Inglaterra, do País de Gales e da Escócia.
	Marcação RoHS O produto está em conformidade com os requisitos das diretivas UE aplicáveis.
	RCM (Regulatory Compliance Mark) O produto está em conformidade com os requisitos das normas australianas aplicáveis.

4 Transporte da bateria

CUIDADO

Perigo de ferimentos devido a transporte incorreto

A bateria pode escorregar ou tomar devido a um transporte incorreto ou à ausência de travas de transporte. Se a bateria escorregar ou tomar, tal pode causar ferimentos.

- Transportar e elevar a bateria com cuidado. Enquanto isso, ter atenção ao peso da bateria.
- Pousar a bateria no veículo na vertical e com proteção antiderrapante.
- Proteger a bateria com cintas de fixação para impedir que escorregue e tombe.
- Durante todos os trabalhos na bateria, usar equipamento de proteção pessoal adequado.

Todos os requisitos do regulamento relativo ao transporte rodoviário, ferroviário e marítimo interno de mercadorias perigosas (GGVSEB) e do acordo relativo ao transporte rodoviário internacional de mercadorias perigosas (ADR) têm de ser sempre respeitados:

- O transporte dos módulos de bateria na via pública apenas pode ser realizado por pessoal formado e instruído. As instruções devem ser documentadas e executadas periodicamente
- Durante a condução, não é permitido fumar no veículo.
- Durante a carga e a descarga do veículo, não é permitido fumar no próprio veículo ou na sua proximidade imediata.
- Transportar 2 extintores de metal testados, classe de fogo D (capacidade mínima de 2 kg) e 1 equipamento para mercadorias perigosas em conformidade com o acordo ADR.
- A embalagem exterior do módulo de bateria não pode ser aberta durante o transporte.

5 Declaração de conformidade UE

nos termos das diretivas UE

- Compatibilidade eletromagnética 2014/30/UE (29.3.2014 L 96/79-106) (CEM)
- Baixa tensão 2014/35/UE (29.3.2014 L 96/357-374) (DBT)
- Restrição do uso de determinadas substâncias perigosas 2011/65/UE (08.06.2011 L 174/88) e 2015/863/UE (31.03.2015 L 137/10) (RoHS)



Pela presente, a SMA Solar Technology AG declara que os produtos descritos neste documento estão em conformidade com os requisitos fundamentais e outras disposições relevantes das diretivas acima mencionadas. Encontrará informações adicionais sobre a possibilidade de localizar a declaração de conformidade completa em <https://www.sma.de/en/ce-ukca>.

6 Declaração de conformidade UK

de acordo com os regulamentos da Inglaterra, do País de Gales e da Escócia

- Electromagnetic Compatibility Regulations 2016 (SI 2016/1091)
- Electrical Equipment (Safety) Regulations 2016 (SI 2016/1101)
- The Restriction of the Use of Certain Hazardous Substances in Electrical and Electronic Equipment Regulations 2012 (SI 2012/3032)



Pela presente, a SMA Solar Technology AG declara que os produtos descritos neste documento estão em conformidade com os requisitos fundamentais e outras disposições relevantes dos regulamentos acima mencionados. Encontrará informações adicionais sobre a possibilidade de localizar a declaração de conformidade completa em <https://www.sma.de/en/ce-ukca>.

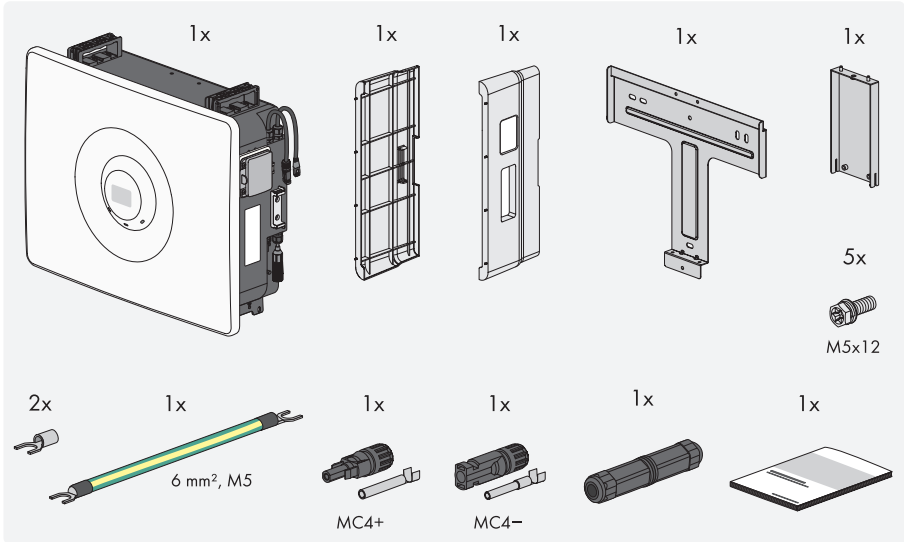
SMA Solar UK Ltd.

Countrywide House
23 West Bar, Banbury
Oxfordshire, OX16 9SA
United Kingdom

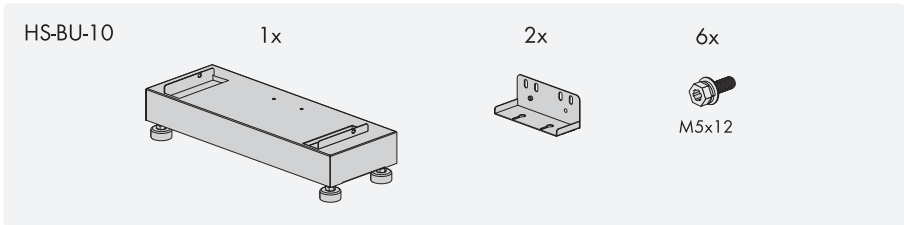


Instructions

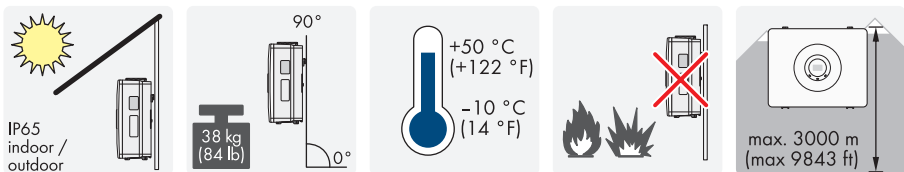
en Scope of delivery of battery modules **de** Lieferumfang Batteriemodul **es** Contenido de la entrega del módulo de batería **fr** Contenu de la livraison module de batterie **it** Contenuto della fornitura modulo batteria **nl** Leveringsomvang batterijmodule **pt** Volume de fornecimento do módulo de bateria



en Scope of delivery of base **de** Lieferumfang Sockel **es** Contenido de la entrega con pedestal **fr** Contenu de la livraison socle **it** Contenuto della fornitura zoccolo **nl** Leveringsomvang sokkel **pt** Volume de fornecimento da base

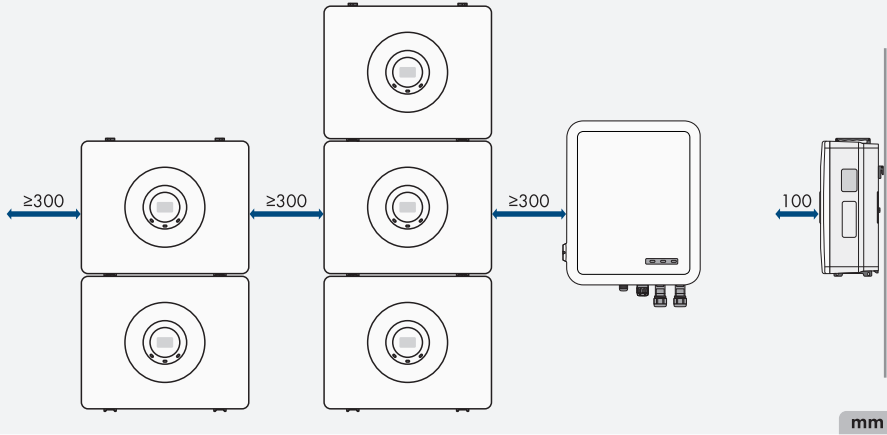


en Mounting location **de** Montageort **es** Lugar de montaje **fr** Lieu de montage **it** Luogo di montaggio **nl** Montagelocatie **pt** Local de montagem



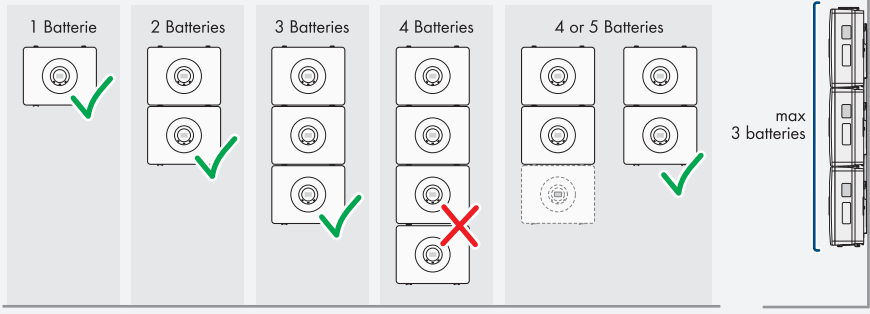


en Minimum clearances **de** Mindestabstände **es** Distancias mínimas **fr** Distances minimales
it Distanze minime **nl** Minimale afstanden **pt** Distâncias mínimas

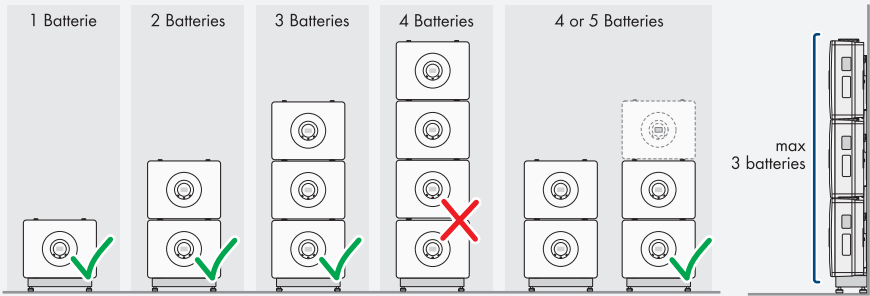




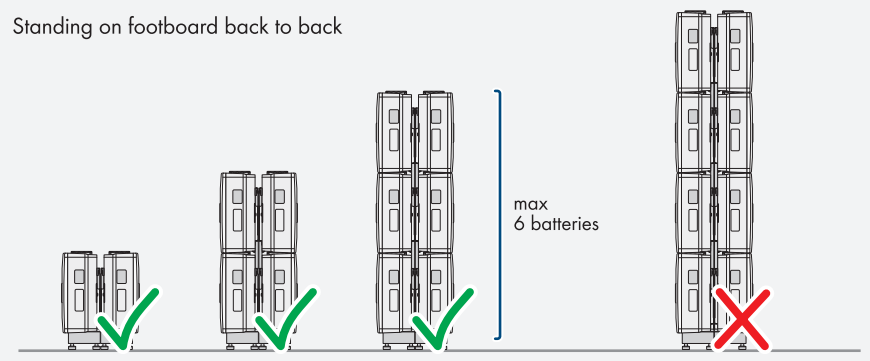
Wall mounting



Standing on footboard back to wall

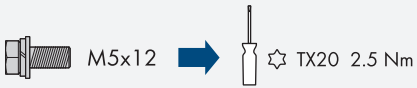
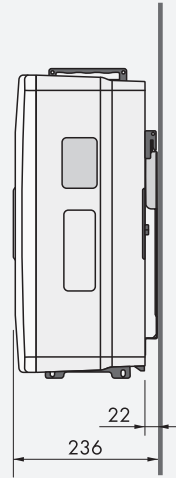
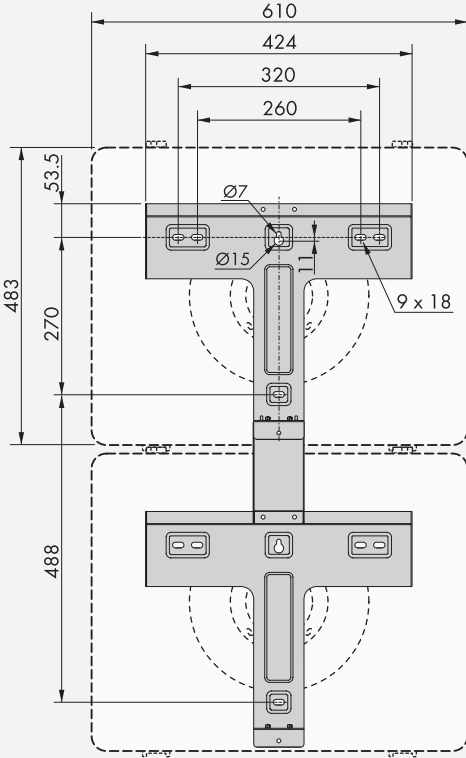


Standing on footboard back to back

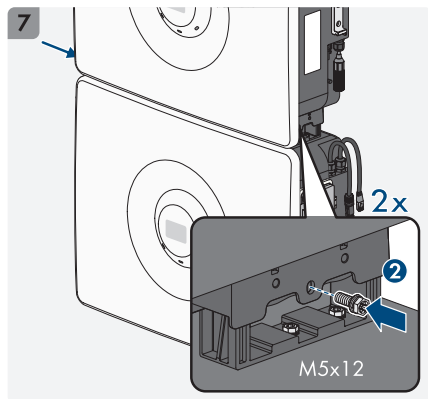
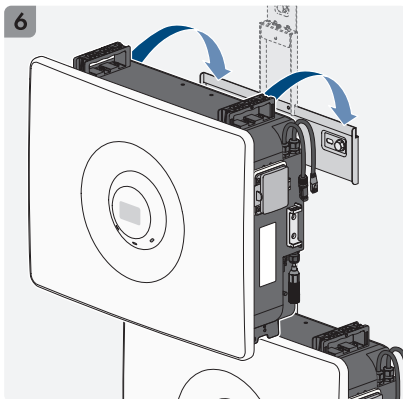
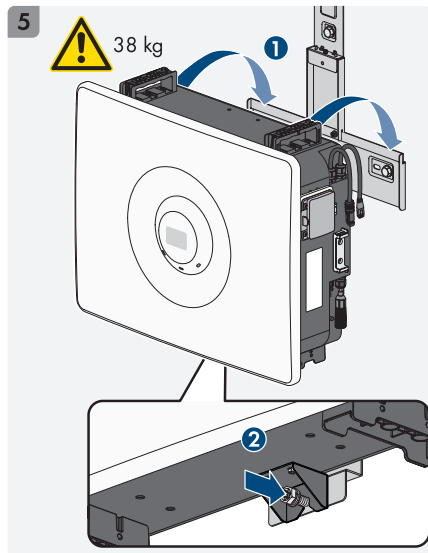
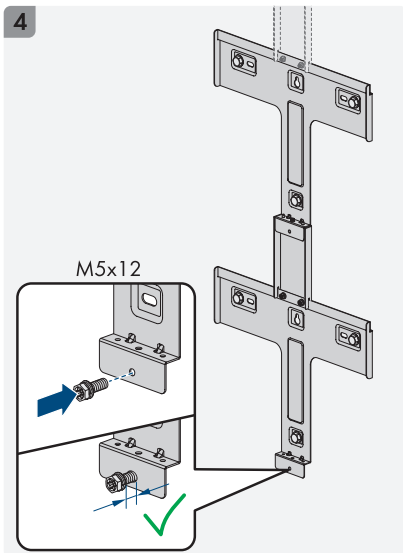
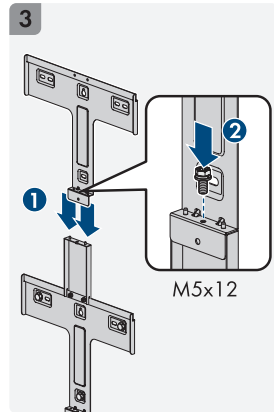
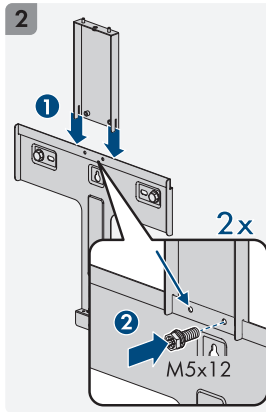
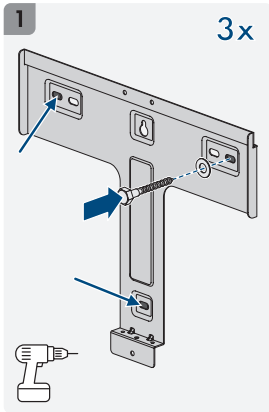




en Wall Mounting de Wandmontage es Montaje mural fr Montage mural it Montaggio a parete nl Wandmontage pt Montagem na parede

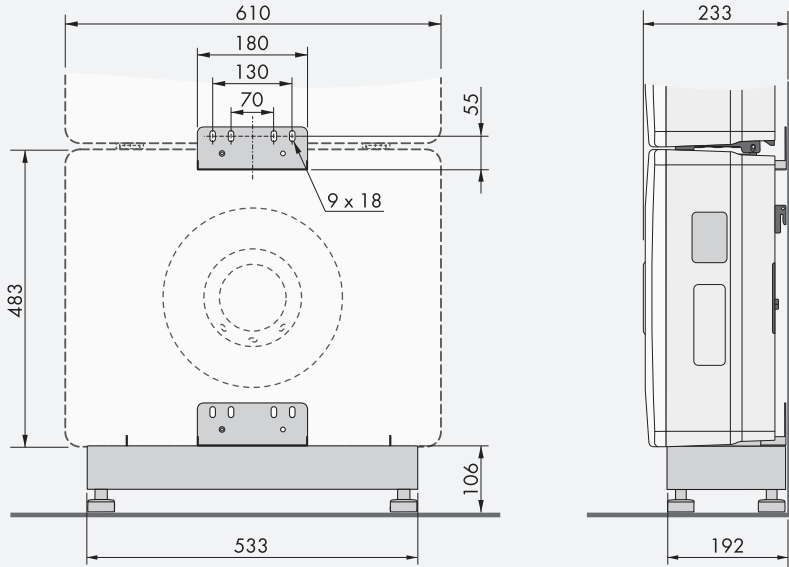


mm

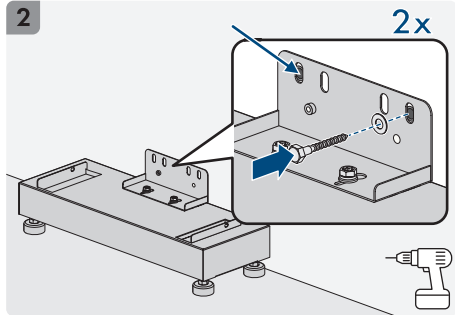
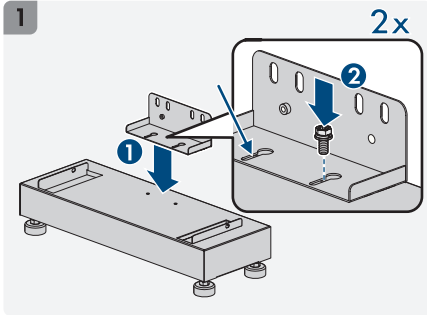


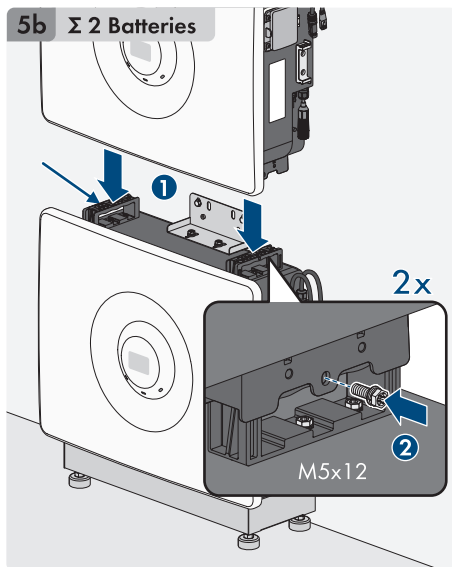
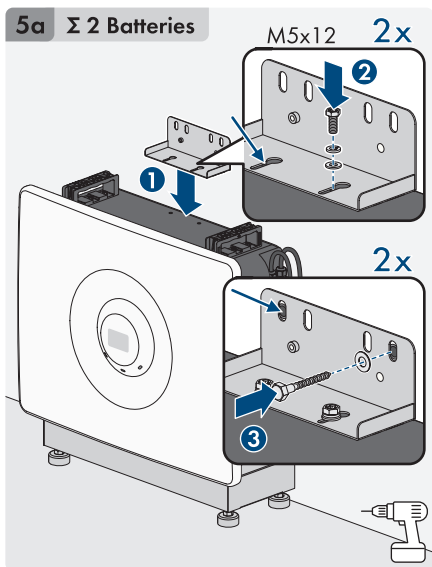
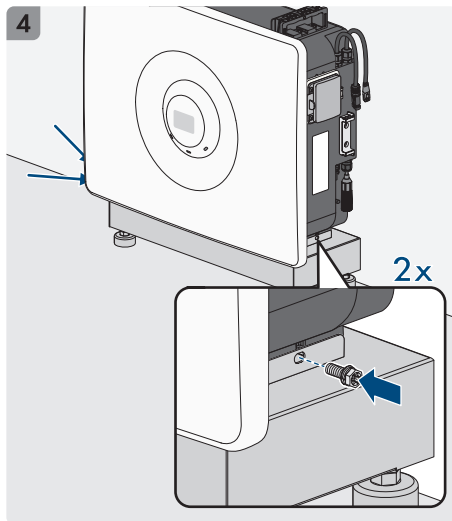
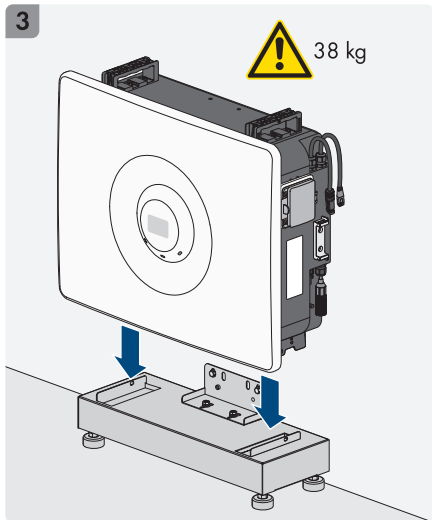


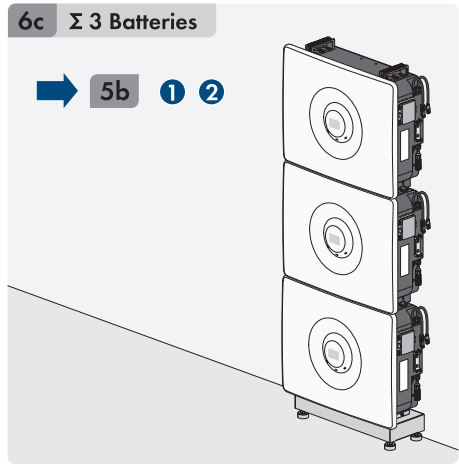
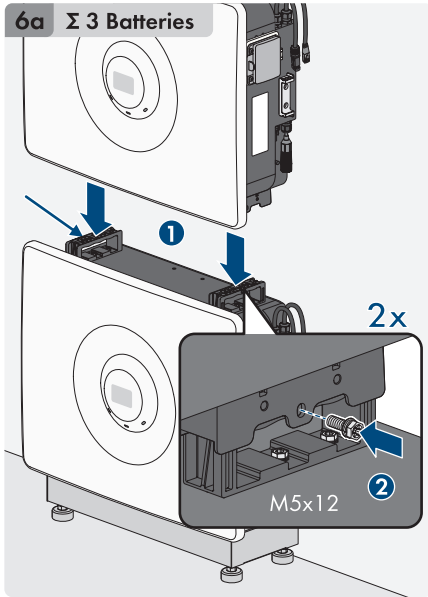
en Mounting with base de Montage mit Sockel es Montaje con pedestal fr Montage avec socle if Montaggio con zoccolo nl Montage met sokkel pt Montagem com base



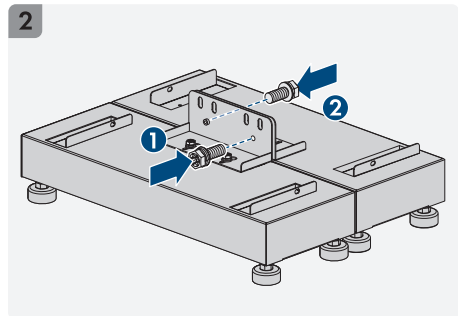
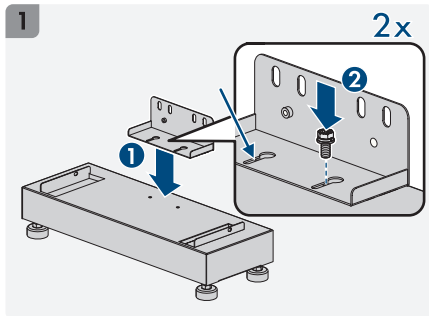
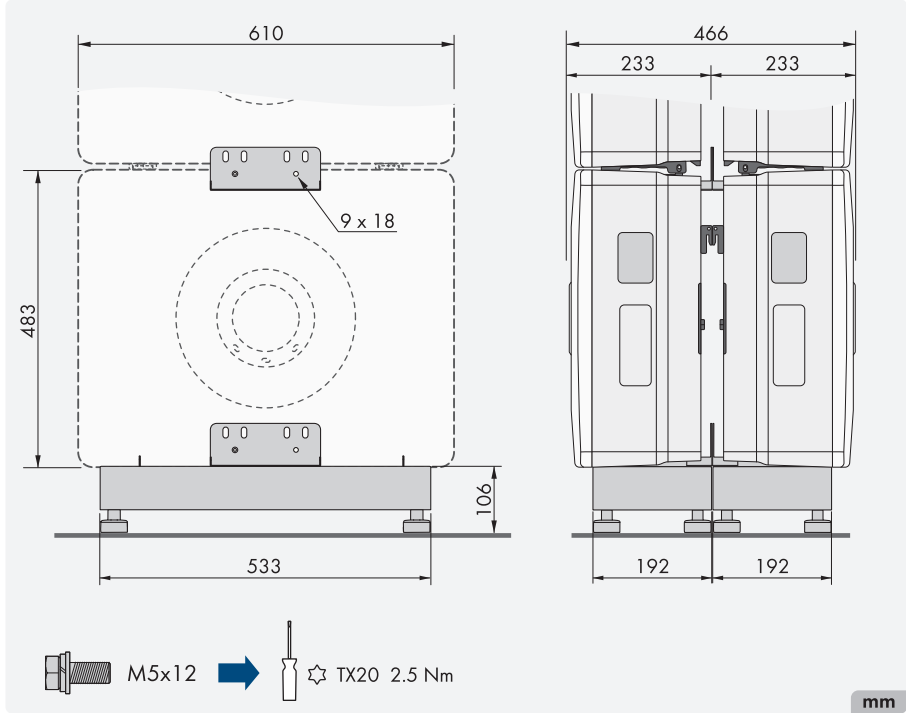
mm





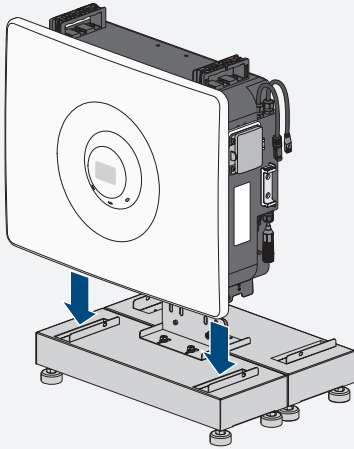


en Back-to-back mounting **de** Rücken-an-Rücken-Montage **es** Montaje "espalda con espalda"
fr Montage dos à dos **it** Montaggio schiena contro schiena **nl** Rug-aan-rug-montage
pt Montagem traseira com traseira

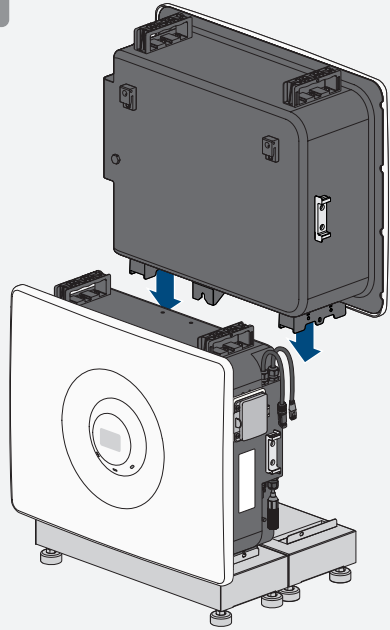




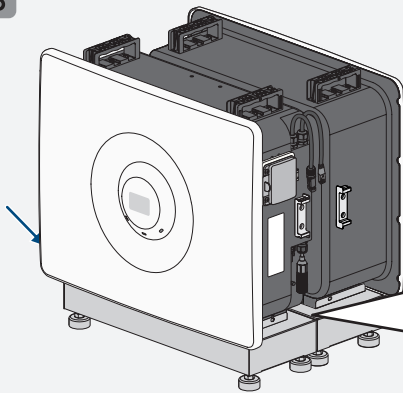
3



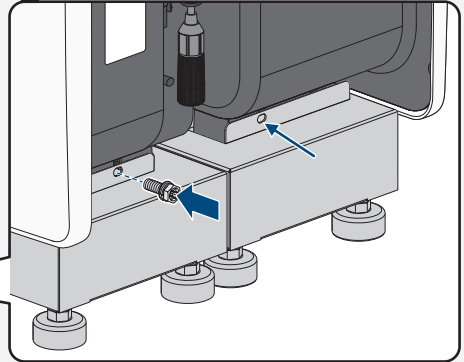
4

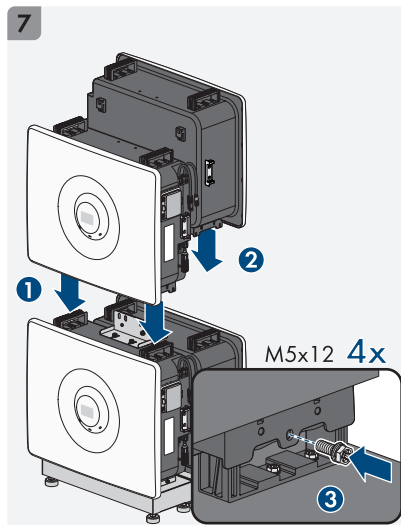
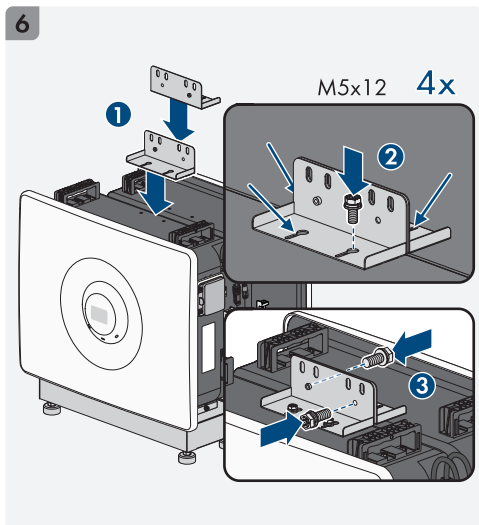


5

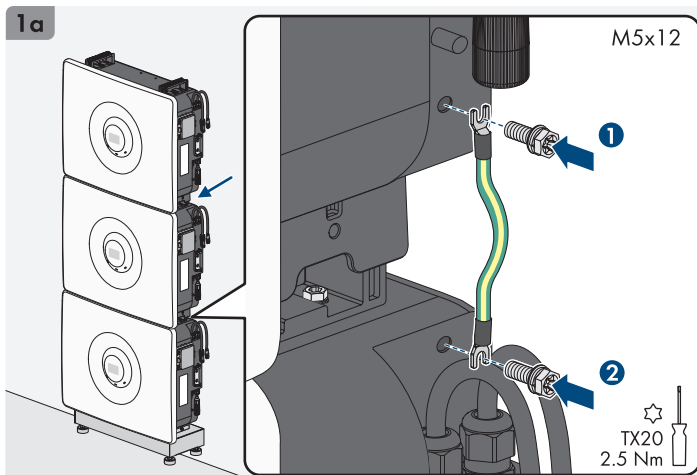


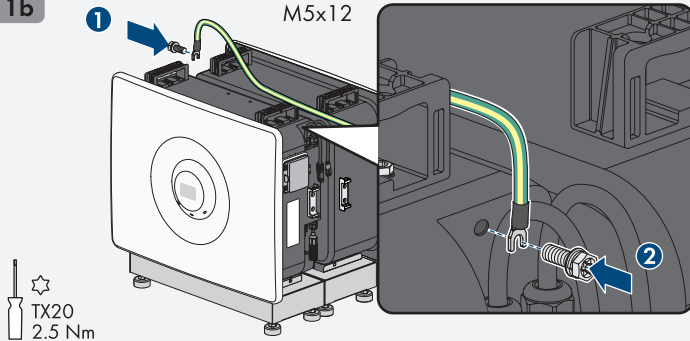
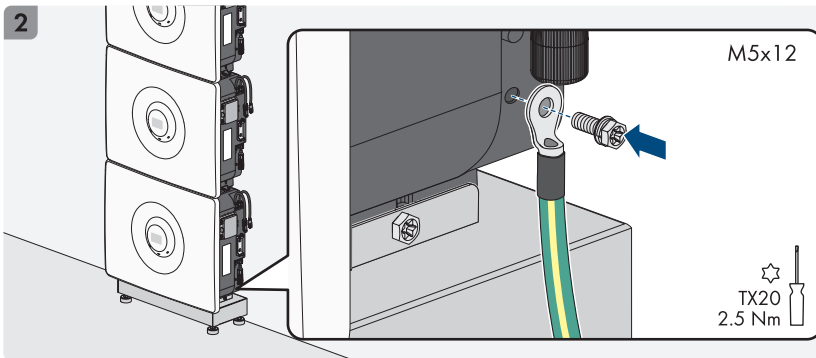
M5x12 4x



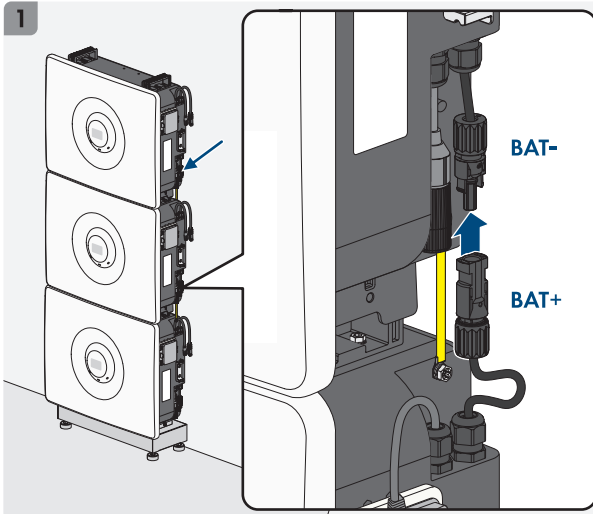


en Connecting the Grounding Conductor **de** Erdungsleiter anschließen **es** Conectar el conductor de protección **fr** Raccordement des conducteurs de protection **it** Collegamento del conduttore di protezione **nl** Aardgeleider aansluiten **pt** Ligar o condutor de ligação à terra



**1b****2**

en Connecting DC Cables to the Battery **de** DC-Kabel an der Batterie anschließen
es Conecte el cable de CC a la batería **fr** Raccorder les câbles DC à la batterie
it Collegamento del cavo CC alla batteria **nl** DC-kabel op de batterij aansluiten **pt** Ligar o cabo CC à bateria

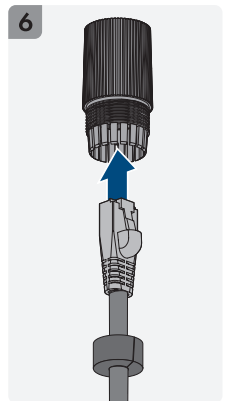
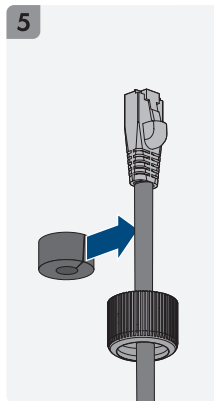
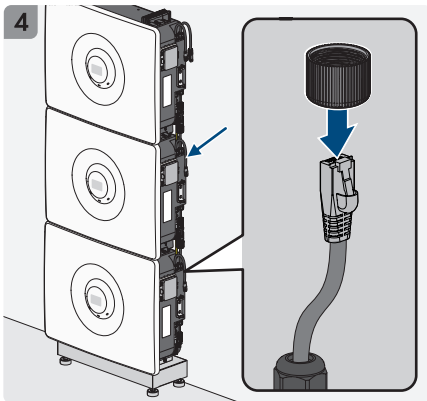
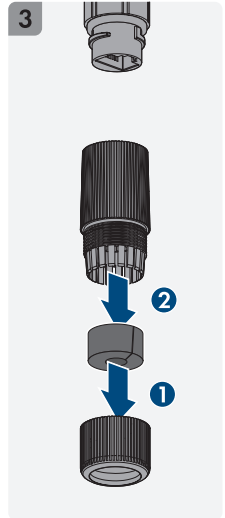
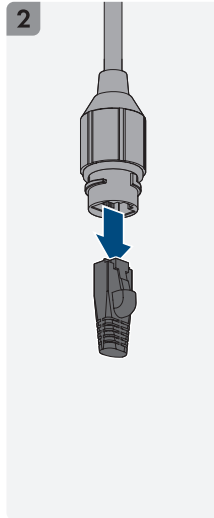
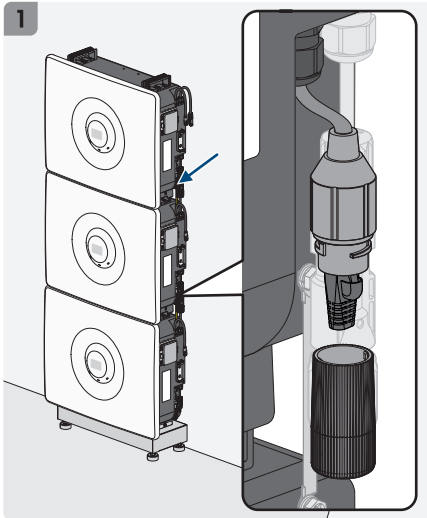
1

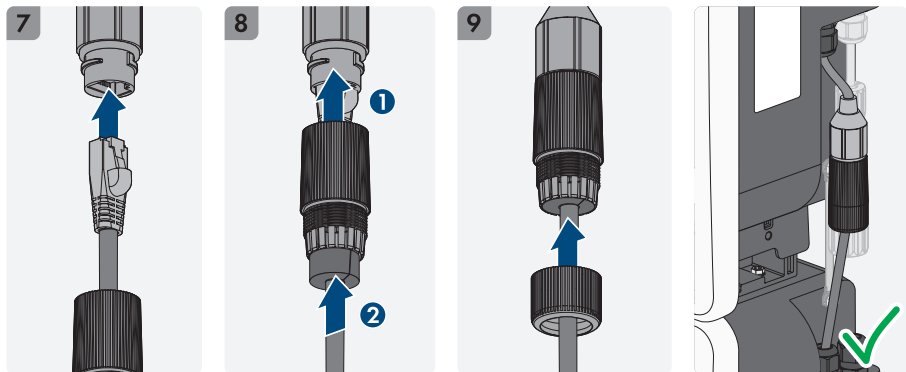


CC		HS-BM-3.28-10
Nominal voltage		96 V
$V_{DC, max}$		108 V
$V_{DC, min}$		90 V
$V_{DC, range}$		90 V to 108 V (1 battery modules) 180 V to 216 V (2 battery modules) 270 V to 324 V (3 battery modules) 360 V to 432 V (4 battery modules) 450 V to 540 V (5 battery modules)
$I_{DC, max usable}$		36 A

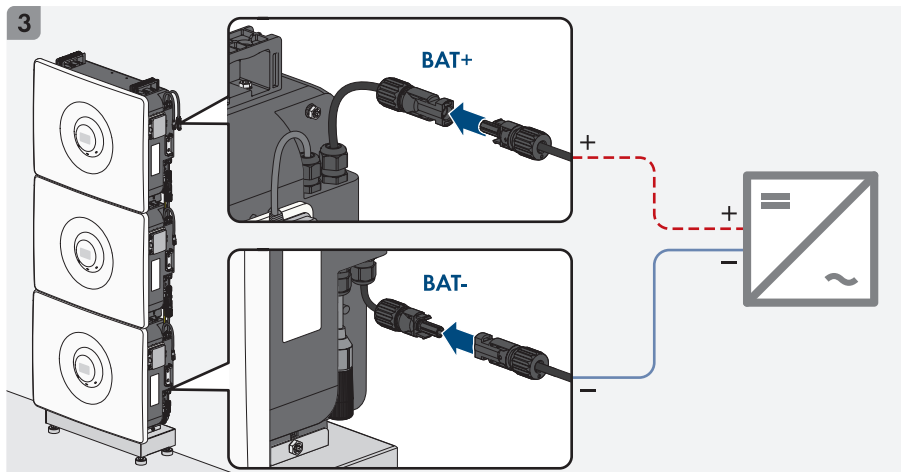
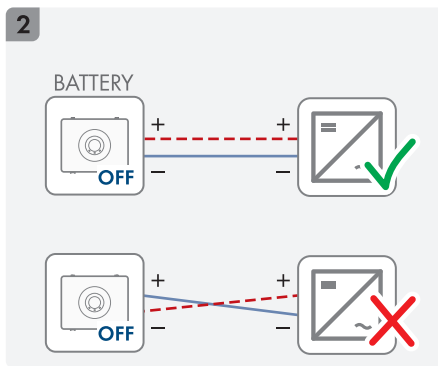
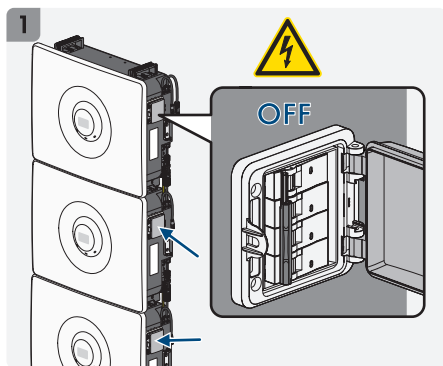


en Connecting the Data Cable of the Battery **de** Batteriekommunikationskabel anschließen
es Conexión del cable de comunicación de la batería **fr** Raccordement du câble de communication avec la batterie **it** Collegamento del cavo di comunicazione della batteria
nl Batterijkommunikatiekabel aansluiten **pt** Ligar o cabo de comunicação da bateria



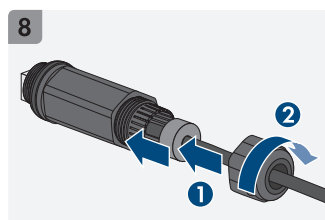
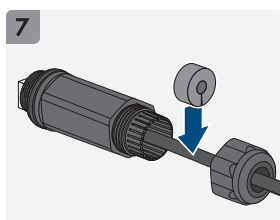
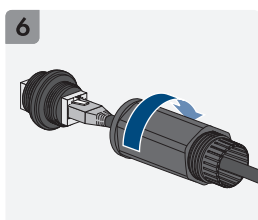
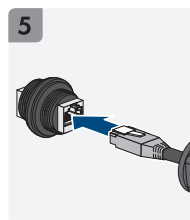
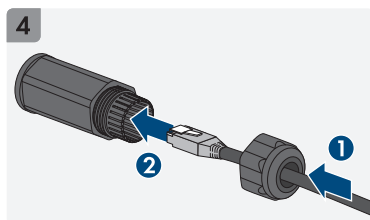
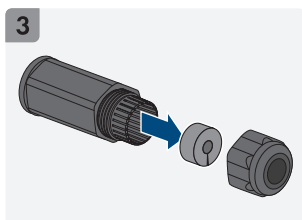
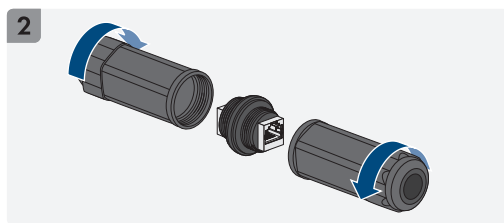
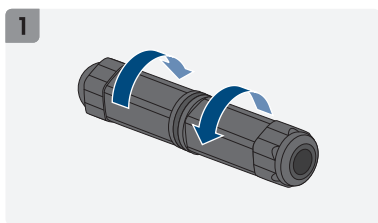
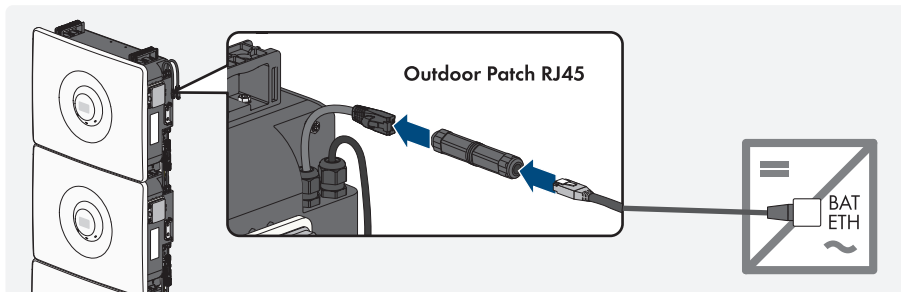


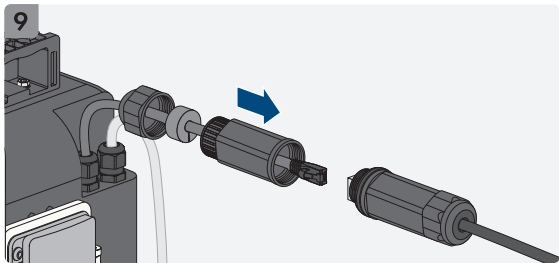
en Connecting the DC cables to the inverter **de** DC-Kabel zum Wechselrichter anschließen
es Conexión de los cables de CC hacia el inversor **fr** Raccordement des câbles DC vers l'onduleur **it** Collegamento del cavo CC all'inverter **nl** DC-kabel naar omvormer aansluiten
pt Conectar os cabos CC ao inversor



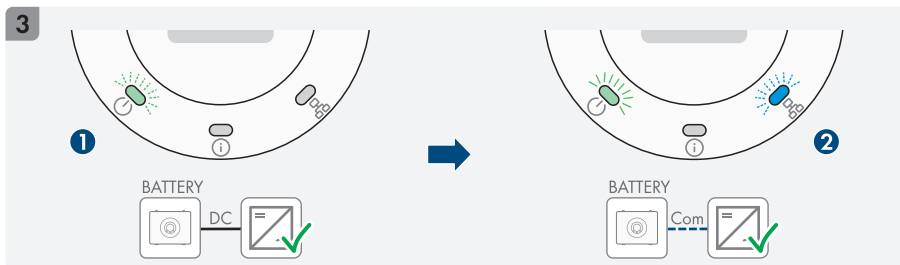
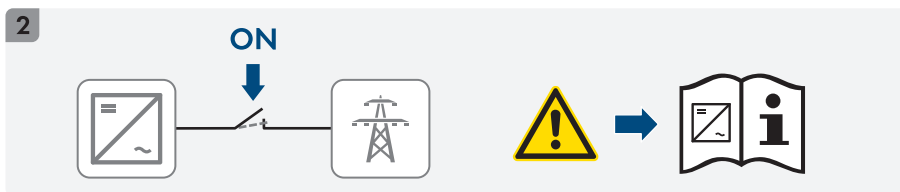
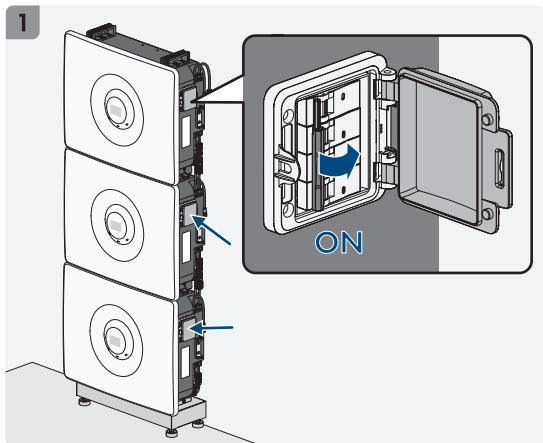


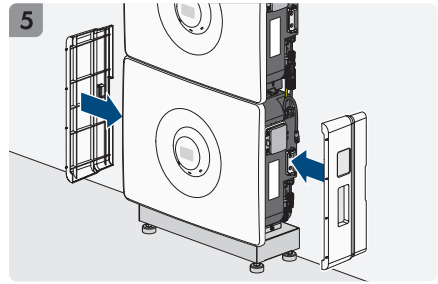
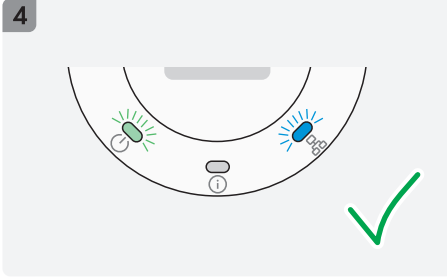
en Connecting the battery communication system to the inverter **de** Batteriekommunikation zum Wechselrichter anschließen **es** Conexión de la comunicación de la batería con el inductor **fr** Raccordement de la communication de batterie avec l'onduleur **it** Collegamento della comunicazione della batteria all'inverter **nl** Batterijkommunicatie naar omvormer aansluiten **pt** Conectar a comunicação da bateria ao inversor



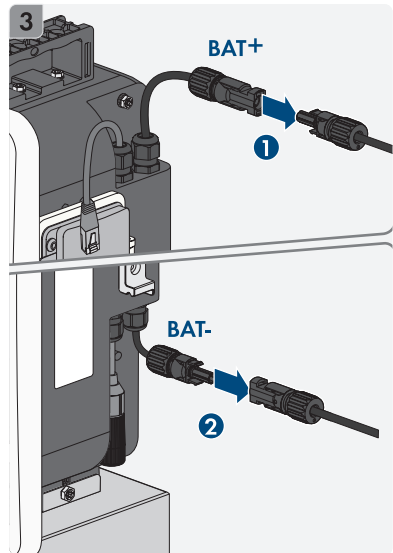
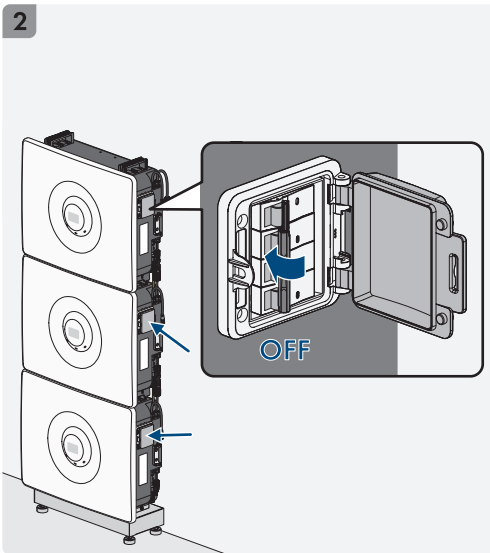
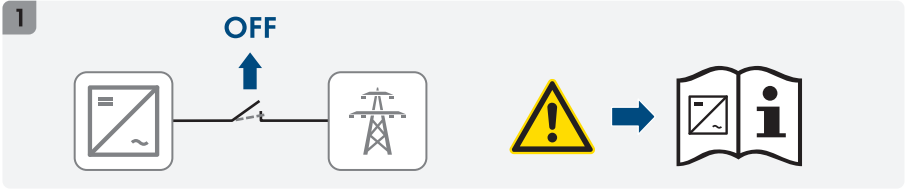


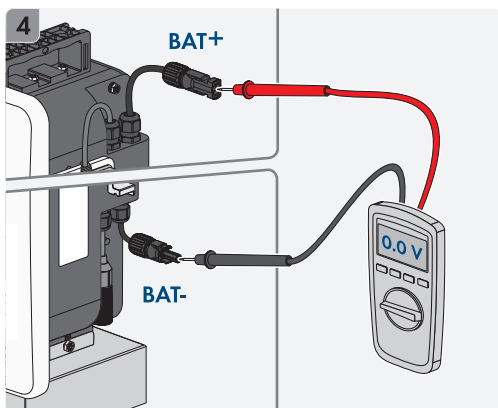
en Commissioning de Inbetriebnahme es Puesta en marcha fr Mise en service it Messa in servizio nl Inbedrijfstelling pt Colocação em serviço





en Disconnecting from voltage sources de Freischalten es Desconexión de la tensión
fr Mettez hors tension it Disinserire nl Vrijschakelen pt Seccionar completamente





en System data **de** System-Daten **es** Datos del sistema **fr** Données du système **it** Dati del sistema **nl** Systeemgegevens **pt** Dados do sistema

Protection class in accordance with IEC 61140	1
Maximum permissible value for relative humidity, condensing	100 %
Extended humidity range according to IEC 60721-3-4	0 % a 100 %
Pollution degree inside the enclosure	2
Pollution degree outside the enclosure	3

en Contact **de** Kontakt **es** Contacto **fr** Contact **it** Contatto **nl** Contact **pt** Contactos



<https://go.sma.de/service>



www.SMA-Solar.com

